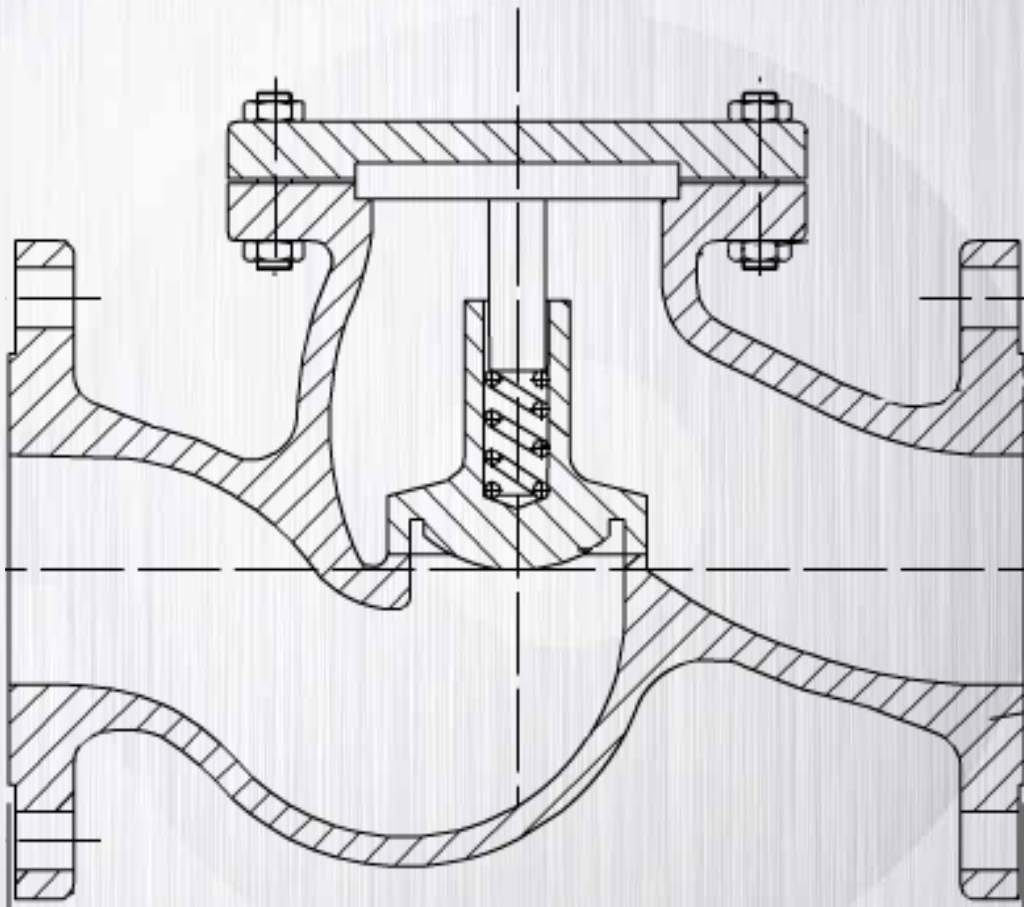


COREING

CHECK VALVES



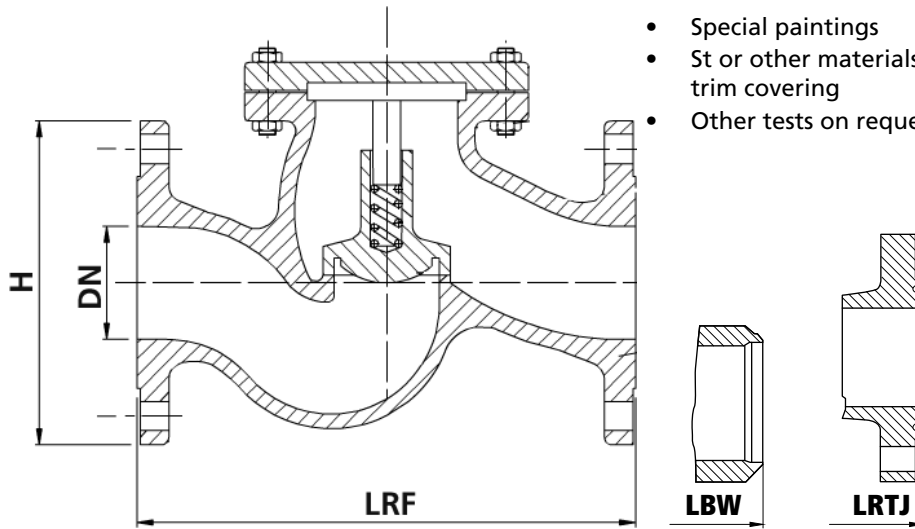
PISTON CHECK VALVE 150

OPTIONS

- Special paintings
- St or other materials trim covering
- Other tests on request

DIMENSIONS (inches & mm)

DN Size (inches)	LRF (mm)	H(mm)	Weight (kg)
2	203	261	29
3	241	336	56
4	292	387	91
6	406	541	151
8	495	686	277
10	622	869	472
12	699	985	602
14	787	1070	912
16	914	1197	1125
18	978	-	-
20	978	-	-
24	1295	-	-



STANDARDS

- Design and manufacture: ANSI B16.34, API 6D or BS1868 Standard
- Face to face dimensions: ANSI B16.10
- Flange dimensions: ANSI B16.5, MSS SP-44 or API 605
- Butt welding ends: ANSI B16.25
- Test: API 598, API 6D

FEATURES

- Bolted Bonnet
- RF, RTJ and BW flanges

TRIM CONFIGURATIONS

API TRIM No	Nonimal Trim	Trim code	Stem	Disc/Wedge	Seat
1	F6	F6	410 (13Cr)	F6 (13Cr)	410 (13Cr)
2	304	304	304 (18Cr-8Ni)	304 (18Cr-8Ni)	304 (18Cr-8Ni)
3	310	310	(25Cr-20Ni)	310 (25Cr-20Ni)	310 (25Cr-20Ni)
4	Hard 410	F6-H	410 (13Cr)	F6 (13Cr)	F6 (13Cr)
5	410 Full Hard faced	F6-HF	410 (13Cr)	F6+St Gr6 (CoCr Alloy)	410+St Gr6 (CoCr Alloy)
5A	410 Full hard Faced	F6-HF	410 (13Cr)	F6+Hardf. NiCr Alloy	410+Hardf. NiCr Alloy
6	410 and Ni-Cu	F6-HFS	410 (13Cr)	F6 (13Cr)	Monel 400 (NiCu Alloy)
7	410 and Full Hard	410	410 (13Cr)	F6 (13Cr)	F6 (13Cr) (750HB)
8	410 and Hard Faced	F6-HFS	410 (13Cr)	F6 (13Cr)	410+St Gr6 (CoCr Alloy)
8A	410 and Hard Faced	F6-HFS	410 (13Cr)	F6 (13Cr)	410+Hardf. NiCr Alloy
9	Monel	Monel	Monel (NiCu Alloy)	Monel (NiCu Alloy)	Monel 400 (NiCu Alloy)
10	316	316	316 (18Cr-Ni-Mo)	316 (18Cr-Ni-Mo)	316 (18Cr-8Ni-Mo)
11	Monel and Hard Faced	Monel-HFS	Monel (NiCu Alloy)	Monel (NiCu Alloy)	Monel 400 St Gr6
11A	Monel and Hard Faced	Monel-HFS	Monel (NiCu Alloy)	Monel (NiCu Alloy)	410 Hardf. NiCrA
12	316 and Hard Faced	316-HFS	316 (18Cr-Ni-Mo)	316 (18Cr-Ni-Mo)	316+St Gr6
12A	316 and Hard Faced	316-HFS	316 (18Cr-Ni-Mo)	316 (18Cr-Ni-Mo)	316 Hardf. NiCr Alloy
13	Alloy 20	Alloy 20	Alloy 20 (19Cr-29Ni)	Alloy 20 (19Cr-29Ni)	Alloy 20 (19Cr-29Ni)
14	Aloy 20 and Hard Faced	Alloy 20-HFS	Alloy 20 (19Cr-29Ni)	Alloy 20 (19Cr-29Ni)	Alloy 20 St Gr6
14A	Alloy 20 and Hard Faced	Alloy 20-HFS	Alloy 20 (19Cr-29Ni)	Alloy 20 (19Cr-29Ni)	Alloy 20 Hardf. NiCr Alloy
15	304 Full Hard Faced	304-HF	304 (18Cr-8Ni-Mo)	304+St Gr6	304+St Gr6
16	316 Full Hard Faced	316-HF	316 HF (18Cr-8Ni-Mo)	316+St Gr6	316+St Gr6

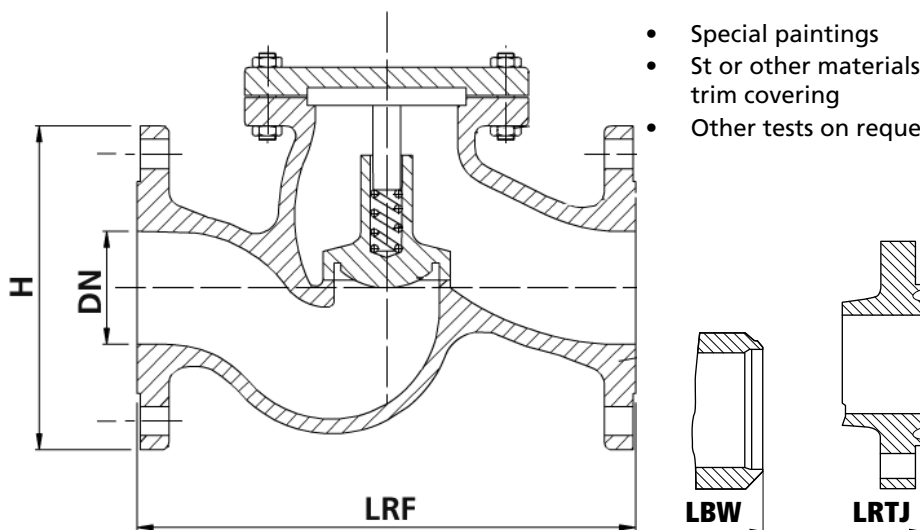
PISTON CHECK VALVE 300

OPTIONS

- Special paintings
- St or other materials trim covering
- Other tests on request

DIMENSIONS (inches & mm)

DN Size (inches)	LRF (mm)	H(mm)	Weight (kg)
2	260	299	36
3	345	384	70
4	448	445	114
6	492	616	187
8	572	746	341
10	752	901	591
12	813	956	755
14	895	1070	1136
16	994	1197	1409



STANDARDS

- Design and manufacture: ANSI B16.34, API 6D or BS1868 Standard
- Face to face dimensions: ANSI B16.10
- Flange dimensions: ANSI B16.5, MSS SP-44 or API 605
- Butt welding ends: ANSI B16.25
- Test: API 598, API 6D

FEATURES

- Bolted Bonnet
- RF, RTJ and BW flanges

TRIM CONFIGURATIONS

API TRIM No	Nonimal Trim	Trim code	Stem	Disc/Wedge	Seat
1	F6	F6	410 (13Cr)	F6 (13Cr)	410 (13Cr)
2	304	304	304 (18Cr-8Ni)	304 (18Cr-8Ni)	304 (18Cr-8Ni)
3	310	310	(25Cr-20Ni)	310 (25Cr-20Ni)	310 (25Cr-20Ni)
4	Hard 410	F6-H	410 (13Cr)	F6 (13Cr)	F6 (13Cr)
5	410 Full Hard faced	F6-HF	410 (13Cr)	F6+St Gr6 (CoCr Alloy)	410+St Gr6 (CoCr Alloy)
5A	410 Full hard Faced	F6-HF	410 (13Cr)	F6+Hardf. NiCr Alloy	410+Hardf. NiCr Alloy
6	410 and Ni-Cu	F6-HFS	410 (13Cr)	F6 (13Cr)	Monel 400 (NiCu Alloy)
7	410 and Full Hard	410	410 (13Cr)	F6 (13Cr)	F6 (13Cr) (750HB)
8	410 and Hard Faced	F6-HFS	410 (13Cr)	F6 (13Cr)	410+St Gr6 (CoCr Alloy)
8A	410 and Hard Faced	F6-HFS	410 (13Cr)	F6 (13Cr)	410+Hardf. NiCr Alloy
9	Monel	Monel	Monel (NiCu Alloy)	Monel (NiCu Alloy)	Monel 400 (NiCu Alloy)
10	316	316	316 (18Cr-Ni-Mo)	316 (18Cr-Ni-Mo)	316 (18Cr-8Ni-Mo)
11	Monel and Hard Faced	Monel-HFS	Monel (NiCu Alloy)	Monel (NiCu Alloy)	Monel 400 St Gr6
11A	Monel and Hard Faced	Monel-HFS	Monel (NiCu Alloy)	Monel (NiCu Alloy)	410 Hardf. NiCrA
12	316 and Hard Faced	316-HFS	316 (18Cr-Ni-Mo)	316 (18Cr-Ni-Mo)	316+St Gr6
12A	316 and Hard Faced	316-HFS	316 (18Cr-Ni-Mo)	316 (18Cr-Ni-Mo)	316 Hardf. NiCr Alloy
13	Alloy 20	Alloy 20	Alloy 20 (19Cr-29Ni)	Alloy 20 (19Cr-29Ni)	Alloy 20 (19Cr-29Ni)
14	Aloy 20 and Hard Faced	Alloy 20-HFS	Alloy 20 (19Cr-29Ni)	Alloy 20 (19Cr-29Ni)	Alloy 20 St Gr6
14A	Alloy 20 and Hard Faced	Alloy 20-HFS	Alloy 20 (19Cr-29Ni)	Alloy 20 (19Cr-29Ni)	Alloy 20 Hardf. NiCr Alloy
15	304 Full Hard Faced	304-HF	304 (18Cr-8Ni-Mo)	304+St Gr6	304+St Gr6
16	316 Full Hard Faced	316-HF	316 HF (18Cr-8Ni-Mo)	316+St Gr6	316+St Gr6

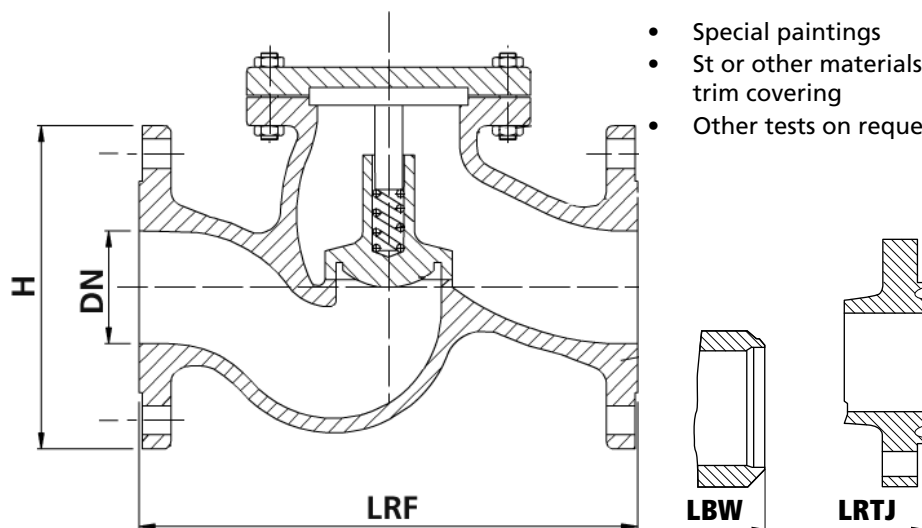
PISTON CHECK VALVE 600

OPTIONS

- Special paintings
- St or other materials trim covering
- Other tests on request

DIMENSIONS (inches & mm)

DN Size (inches)	LRF (mm)	LRTJ (mm)	H (mm)	Weight (kg)
2	279	283	299	39
3	375	378	393	80
4	470	461	445	132
6	527	530	635	250
8	610	613	749	368
10	784	787	914	750
12	854	857	971	1114
14	940	943	1092	1318
16	1048	1051	1226	1682
18	1168	1172	1324	2091
20	1410	1413	1425	3591
24	1524	1527	1556	4636



STANDARDS

- Design and manufacture: ANSI B16.34, API 6D or BS1868 Standard
- Face to face dimensions: ANSI B16.10
- Flange dimensions: ANSI B16.5, MSS SP-44 or API 605
- Butt welding ends: ANSI B16.25
- Test: API 598, API 6D

FEATURES

- Bolted Bonnet
- RF, RTJ and BW flanges

TRIM CONFIGURATIONS

API TRIM No	Nonimal Trim	Trim code	Stem	Disc/Wedge	Seat
1	F6	F6	410 (13Cr)	F6 (13Cr)	410 (13Cr)
2	304	304	304 (18Cr-8Ni)	304 (18Cr-8Ni)	304 (18Cr-8Ni)
3	310	310	(25Cr-20Ni)	310 (25Cr-20Ni)	310 (25Cr-20Ni)
4	Hard 410	F6-H	410 (13Cr)	F6 (13Cr)	F6 (13Cr)
5	410 Full Hard faced	F6-HF	410 (13Cr)	F6+St Gr6 (CoCr Alloy)	410+St Gr6 (CoCr Alloy)
5A	410 Full hard Faced	F6-HF	410 (13Cr)	F6+Hardf. NiCr Alloy	410+Hardf. NiCr Alloy
6	410 and Ni-Cu	F6-HFS	410 (13Cr)	F6 (13Cr)	Monel 400 (NiCu Alloy)
7	410 and Full Hard	410	410 (13Cr)	F6 (13Cr)	F6 (13Cr) (750HB)
8	410 and Hard Faced	F6-HFS	410 (13Cr)	F6 (13Cr)	410+St Gr6 (CoCr Alloy)
8A	410 and Hard Faced	F6-HFS	410 (13Cr)	F6 (13Cr)	410+Hardf. NiCr Alloy
9	Monel	Monel	Monel (NiCu Alloy)	Monel (NiCu Alloy)	Monel 400 (NiCu Alloy)
10	316	316	316 (18Cr-Ni-Mo)	316 (18Cr-Ni-Mo)	316 (18Cr-8Ni-Mo)
11	Monel and Hard Faced	Monel-HFS	Monel (NiCu Alloy)	Monel (NiCu Alloy)	Monel 400 St Gr6
11A	Monel and Hard Faced	Monel-HFS	Monel (NiCu Alloy)	Monel (NiCu Alloy)	410 Hardf. NiCrA
12	316 and Hard Faced	316-HFS	316 (18Cr-Ni-Mo)	316 (18Cr-Ni-Mo)	316+St Gr6
12A	316 and Hard Faced	316-HFS	316 (18Cr-Ni-Mo)	316 (18Cr-Ni-Mo)	316 Hardf. NiCr Alloy
13	Alloy 20	Alloy 20	Alloy 20 (19Cr-29Ni)	Alloy 20 (19Cr-29Ni)	Alloy 20 (19Cr-29Ni)
14	Aloy 20 and Hard Faced	Alloy 20-HFS	Alloy 20 (19Cr-29Ni)	Alloy 20 (19Cr-29Ni)	Alloy 20 St Gr6
14A	Alloy 20 and Hard Faced	Alloy 20-HFS	Alloy 20 (19Cr-29Ni)	Alloy 20 (19Cr-29Ni)	Alloy 20 Hardf. NiCr Alloy
15	304 Full Hard Faced	304-HF	304 (18Cr-8Ni-Mo)	304+St Gr6	304+St Gr6
16	316 Full Hard Faced	316-HF	316 HF (18Cr-8Ni-Mo)	316+St Gr6	316+St Gr6

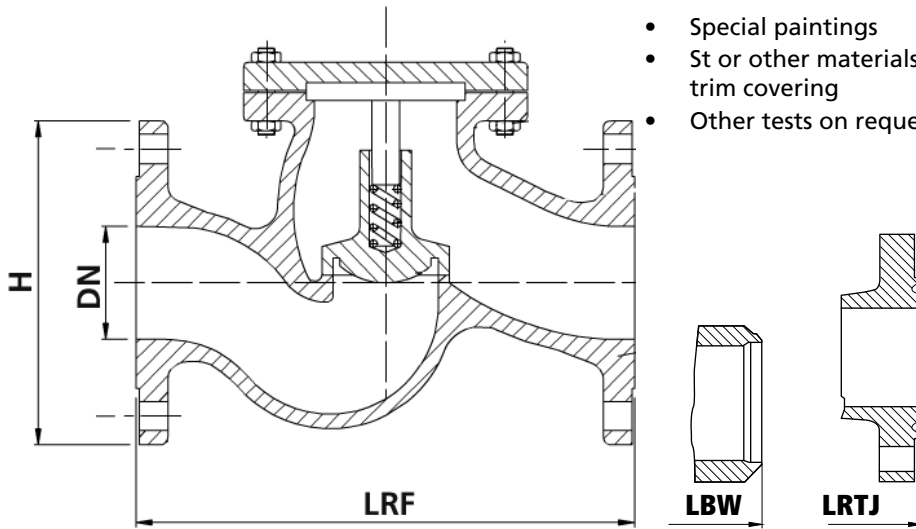
PISTON CHECK VALVE 900

OPTIONS

- Special paintings
- St or other materials trim covering
- Other tests on request

DIMENSIONS (inches & mm)

DN Size (inches)	LRF (mm)	LRTJ (mm)	H (mm)	Weight (kg)
2	346	349	299	39
3	378	381	393	80
4	492	495	445	132
6	556	559	635	250
8	632	635	749	368
10	797	800	814	750
12	860	857	971	1114



STANDARDS

- Design and manufacture: ANSI B16.34, API 6D or BS1868 Standard
- Face to face dimensions: ANSI B16.10
- Flange dimensions: ANSI B16.5, MSS SP-44 or API 605
- Butt welding ends: ANSI B16.25
- Test: API 598, API 6D

FEATURES

- Bolted Bonnet
- RF, RTJ and BW flanges

TRIM CONFIGURATIONS

API TRIM No	Nonimal Trim	Trim code	Stem	Disc/Wedge	Seat
1	F6	F6	410 (13Cr)	F6 (13Cr)	410 (13Cr)
2	304	304	304 (18Cr-8Ni)	304 (18Cr-8Ni)	304 (18Cr-8Ni)
3	310	310	(25Cr-20Ni)	310 (25Cr-20Ni)	310 (25Cr-20Ni)
4	Hard 410	F6-H	410 (13Cr)	F6 (13Cr)	F6 (13Cr)
5	410 Full Hard faced	F6-HF	410 (13Cr)	F6+St Gr6 (CoCr Alloy)	410+St Gr6 (CoCr Alloy)
5A	410 Full hard Faced	F6-HF	410 (13Cr)	F6+Hardf. NiCr Alloy	410+Hardf. NiCr Alloy
6	410 and Ni-Cu	F6-HFS	410 (13Cr)	F6 (13Cr)	Monel 400 (NiCu Alloy)
7	410 and Full Hard	410	410 (13Cr)	F6 (13Cr)	F6 (13Cr) (750HB)
8	410 and Hard Faced	F6-HFS	410 (13Cr)	F6 (13Cr)	410+St Gr6 (CoCr Alloy)
8A	410 and Hard Faced	F6-HFS	410 (13Cr)	F6 (13Cr)	410+Hardf. NiCr Alloy
9	Monel	Monel	Monel (NiCu Alloy)	Monel (NiCu Alloy)	Monel 400 (NiCu Alloy)
10	316	316	316 (18Cr-Ni-Mo)	316 (18Cr-Ni-Mo)	316 (18Cr-8Ni-Mo)
11	Monel and Hard Faced	Monel-HFS	Monel (NiCu Alloy)	Monel (NiCu Alloy)	Monel 400 St Gr6
11A	Monel and Hard Faced	Monel-HFS	Monel (NiCu Alloy)	Monel (NiCu Alloy)	410 Hardf. NiCrA
12	316 and Hard Faced	316-HFS	316 (18Cr-Ni-Mo)	316 (18Cr-Ni-Mo)	316+St Gr6
12A	316 and Hard Faced	316-HFS	316 (18Cr-Ni-Mo)	316 (18Cr-Ni-Mo)	316 Hardf. NiCr Alloy
13	Alloy 20	Alloy 20	Alloy 20 (19Cr-29Ni)	Alloy 20 (19Cr-29Ni)	Alloy 20 (19Cr-29Ni)
14	Aloy 20 and Hard Faced	Alloy 20-HFS	Alloy 20 (19Cr-29Ni)	Alloy 20 (19Cr-29Ni)	Alloy 20 St Gr6
14A	Alloy 20 and Hard Faced	Alloy 20-HFS	Alloy 20 (19Cr-29Ni)	Alloy 20 (19Cr-29Ni)	Alloy 20 Hardf. NiCr Alloy
15	304 Full Hard Faced	304-HF	304 (18Cr-8Ni-Mo)	304+St Gr6	304+St Gr6
16	316 Full Hard Faced	316-HF	316 HF (18Cr-8Ni-Mo)	316+St Gr6	316+St Gr6

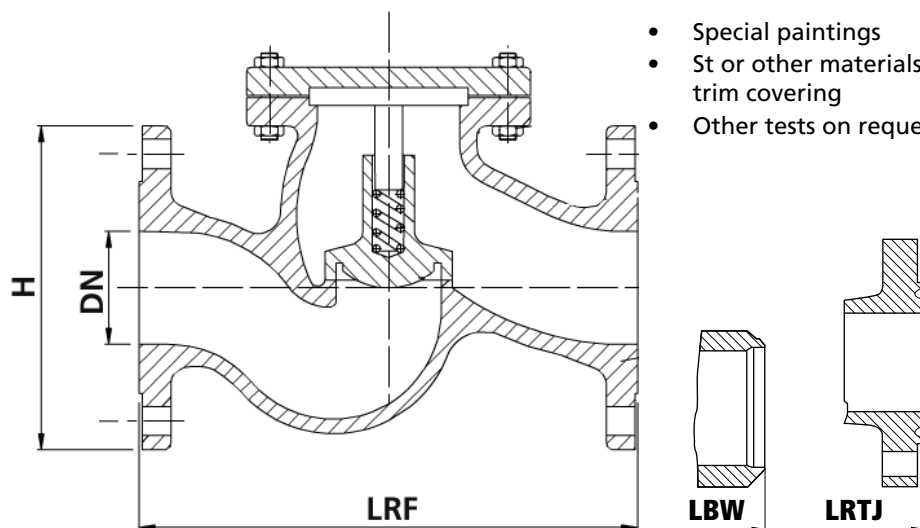
PISTON CHECK VALVE 1500

OPTIONS

- Special paintings
- St or other materials trim covering
- Other tests on request

DIMENSIONS (inches & mm)

DN Size (inches)	LRF (mm)	LRTJ (mm)	H (mm)	Weight (kg)
2	346	349	299	39
3	438	440	393	80
4	514	518	445	132
6	610	616	635	250
8	822	832	749	368
10	873	889	814	750
12	1041	1059	971	1114
14	1283	1302	1092	1318



STANDARDS

- Design and manufacture: ANSI B16.34, API 6D or BS1868 Standard
- Face to face dimensions: ANSI B16.10
- Flange dimensions: ANSI B16.5, MSS SP-44 or API 605
- Butt welding ends: ANSI B16.25
- Test: API 598, API 6D

FEATURES

- Bolted Bonnet
- RF, RTJ and BW flanges

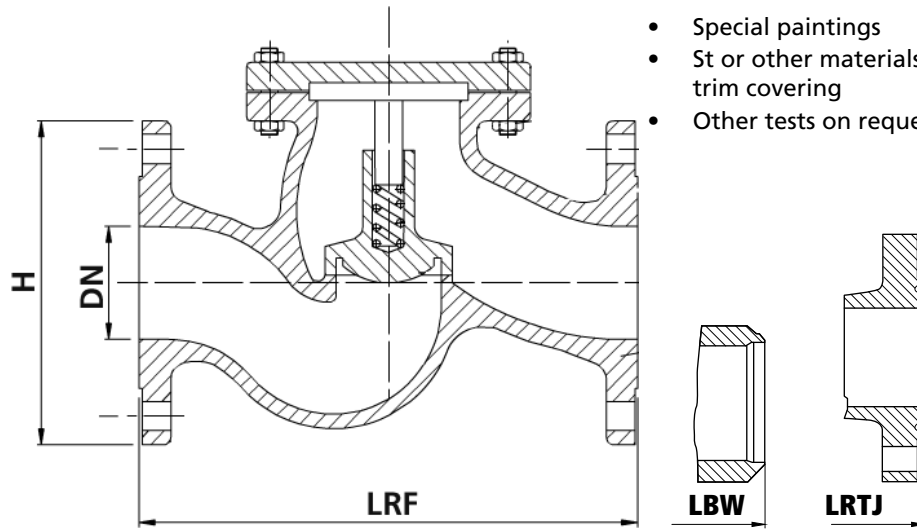
TRIM CONFIGURATIONS

API TRIM No	Nonimal Trim	Trim code	Stem	Disc/Wedge	Seat
1	F6	F6	410 (13Cr)	F6 (13Cr)	410 (13Cr)
2	304	304	304 (18Cr-8Ni)	304 (18Cr-8Ni)	304 (18Cr-8Ni)
3	310	310	(25Cr-20Ni)	310 (25Cr-20Ni)	310 (25Cr-20Ni)
4	Hard 410	F6-H	410 (13Cr)	F6 (13Cr)	F6 (13Cr)
5	410 Full Hard faced	F6-HF	410 (13Cr)	F6+St Gr6 (CoCr Alloy)	410+St Gr6 (CoCr Alloy)
5A	410 Full hard Faced	F6-HF	410 (13Cr)	F6+Hardf. NiCr Alloy	410+Hardf. NiCr Alloy
6	410 and Ni-Cu	F6-HFS	410 (13Cr)	F6 (13Cr)	Monel 400 (NiCu Alloy)
7	410 and Full Hard	410	410 (13Cr)	F6 (13Cr)	F6 (13Cr) (750HB)
8	410 and Hard Faced	F6-HFS	410 (13Cr)	F6 (13Cr)	410+St Gr6 (CoCr Alloy)
8A	410 and Hard Faced	F6-HFS	410 (13Cr)	F6 (13Cr)	410+Hardf. NiCr Alloy
9	Monel	Monel	Monel (NiCu Alloy)	Monel (NiCu Alloy)	Monel 400 (NiCu Alloy)
10	316	316	316 (18Cr-Ni-Mo)	316 (18Cr-Ni-Mo)	316 (18Cr-8Ni-Mo)
11	Monel and Hard Faced	Monel-HFS	Monel (NiCu Alloy)	Monel (NiCu Alloy)	Monel 400 St Gr6
11A	Monel and Hard Faced	Monel-HFS	Monel (NiCu Alloy)	Monel (NiCu Alloy)	410 Hardf. NiCrA
12	316 and Hard Faced	316-HFS	316 (18Cr-Ni-Mo)	316 (18Cr-Ni-Mo)	316+St Gr6
12A	316 and Hard Faced	316-HFS	316 (18Cr-Ni-Mo)	316 (18Cr-Ni-Mo)	316 Hardf. NiCr Alloy
13	Alloy 20	Alloy 20	Alloy 20 (19Cr-29Ni)	Alloy 20 (19Cr-29Ni)	Alloy 20 (19Cr-29Ni)
14	Aloy 20 and Hard Faced	Alloy 20-HFS	Alloy 20 (19Cr-29Ni)	Alloy 20 (19Cr-29Ni)	Alloy 20 St Gr6
14A	Alloy 20 and Hard Faced	Alloy 20-HFS	Alloy 20 (19Cr-29Ni)	Alloy 20 (19Cr-29Ni)	Alloy 20 Hardf. NiCr Alloy
15	304 Full Hard Faced	304-HF	304 (18Cr-8Ni-Mo)	304+St Gr6	304+St Gr6
16	316 Full Hard Faced	316-HF	316 HF (18Cr-8Ni-Mo)	316+St Gr6	316+St Gr6

PISTON CHECK VALVE 2500

OPTIONS

- Special paintings
- St or other materials trim covering
- Other tests on request



DIMENSIONS (inches & mm)

DN Size (inches)	LRF (mm)	LRTJ (mm)	H (mm)	Weight (kg)
2	378	381	299	39
3	512	521	393	80
4	587	597	445	132
6	813	826	635	250
8	949	965	749	368
10	1026	1022	814	750

STANDARDS

- Design and manufacture: ANSI B16.34, API 6D or BS1868 Standard
- Face to face dimensions: ANSI B16.10
- Flange dimensions: ANSI B16.5, MSS SP-44 or API 605
- Butt welding ends: ANSI B16.25
- Test: API 598, API 6D

FEATURES

- Bolted Bonnet
- RF, RTJ and BW flanges

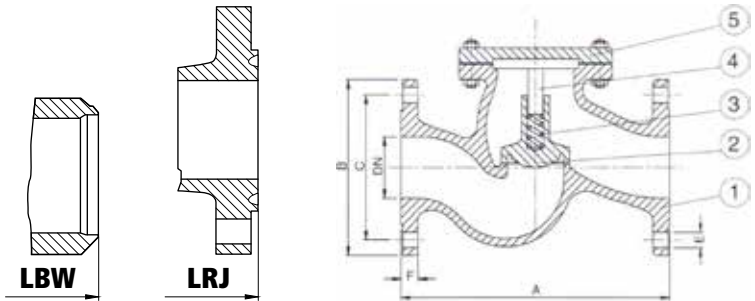
TRIM CONFIGURATIONS

API TRIM No	Nonimal Trim	Trim code	Stem	Disc/Wedge	Seat
1	F6	F6	410 (13Cr)	F6 (13Cr)	410 (13Cr)
2	304	304	304 (18Cr-8Ni)	304 (18Cr-8Ni)	304 (18Cr-8Ni)
3	310	310	(25Cr-20Ni)	310 (25Cr-20Ni)	310 (25Cr-20Ni)
4	Hard 410	F6-H	410 (13Cr)	F6 (13Cr)	F6 (13Cr)
5	410 Full Hard faced	F6-HF	410 (13Cr)	F6+St Gr6 (CoCr Alloy)	410+St Gr6 (CoCr Alloy)
5A	410 Full hard Faced	F6-HF	410 (13Cr)	F6+Hardf. NiCr Alloy	410+Hardf. NiCr Alloy
6	410 and Ni-Cu	F6-HFS	410 (13Cr)	F6 (13Cr)	Monel 400 (NiCu Alloy)
7	410 and Full Hard	410	410 (13Cr)	F6 (13Cr)	F6 (13Cr) (750HB)
8	410 and Hard Faced	F6-HFS	410 (13Cr)	F6 (13Cr)	410+St Gr6 (CoCr Alloy)
8A	410 and Hard Faced	F6-HFS	410 (13Cr)	F6 (13Cr)	410+Hardf. NiCr Alloy
9	Monel	Monel	Monel (NiCu Alloy)	Monel (NiCu Alloy)	Monel 400 (NiCu Alloy)
10	316	316	316 (18Cr-Ni-Mo)	316 (18Cr-Ni-Mo)	316 (18Cr-8Ni-Mo)
11	Monel and Hard Faced	Monel-HFS	Monel (NiCu Alloy)	Monel (NiCu Alloy)	Monel 400 St Gr6
11A	Monel and Hard Faced	Monel-HFS	Monel (NiCu Alloy)	Monel (NiCu Alloy)	410 Hardf. NiCrA
12	316 and Hard Faced	316-HFS	316 (18Cr-Ni-Mo)	316 (18Cr-Ni-Mo)	316+St Gr6
12A	316 and Hard Faced	316-HFS	316 (18Cr-Ni-Mo)	316 (18Cr-Ni-Mo)	316 Hardf. NiCr Alloy
13	Alloy 20	Alloy 20	Alloy 20 (19Cr-29Ni)	Alloy 20 (19Cr-29Ni)	Alloy 20 (19Cr-29Ni)
14	Aloy 20 and Hard Faced	Alloy 20-HFS	Alloy 20 (19Cr-29Ni)	Alloy 20 (19Cr-29Ni)	Alloy 20 St Gr6
14A	Alloy 20 and Hard Faced	Alloy 20-HFS	Alloy 20 (19Cr-29Ni)	Alloy 20 (19Cr-29Ni)	Alloy 20 Hardf. NiCr Alloy
15	304 Full Hard Faced	304-HF	304 (18Cr-8Ni-Mo)	304+St Gr6	304+St Gr6
16	316 Full Hard Faced	316-HF	316 HF (18Cr-8Ni-Mo)	316+St Gr6	316+St Gr6

PISTON CHECK VALVE

OPTIONS

- Special paintings
- St or other materials trim covering
- Other tests on request



STANDARDS

- Sides distance according to DIN 3202
 - Design: DIN 3352
- Flanges according to UNI EN 1092-1 PN 16

FEATURES

- Bolted Bonnet
- RF, RTJ and BW flanges

DIMENSIONS (mm)

DN	15	20	25	32	40	50	65	80	100	125	150	200	250
A	130	150	160	180	200	230	290	310	350	400	580	600	730
B	95	105	115	140	150	165	185	200	220	250	285	340	405
C	65	75	85	100	110	125	145	160	180	210	240	295	350
F	14	16	16	16	18	18	18	20	20	22	22	24	26
E	14	14	14	18	18	18	18	18	18	18	23	23	23
N*	4	4	4	4	4	4	4	8	8	8	8	8/12	8/12
Peso (Kg)	4	5	6	8	10	14	17	22	32	51	83	132	205

* N° of holes

TRIM CONFIGURATIONS

API TRIM No	Nonimal Trim	Trim code	Stem	Disc/Wedge	Seat
1	F6	F6	410 (13Cr)	F6 (13Cr)	410 (13Cr)
2	304	304	304 (18Cr-8Ni)	304 (18Cr-8Ni)	304 (18Cr-8Ni)
3	310	310	(25Cr-20Ni)	310 (25Cr-20Ni)	310 (25Cr-20Ni)
4	Hard 410	F6-H	410 (13Cr)	F6 (13Cr)	F6 (13Cr)
5	410 Full Hard faced	F6-HF	410 (13Cr)	F6+St Gr6 (CoCr Alloy)	410+St Gr6 (CoCr Alloy)
5A	410 Full hard Faced	F6-HF	410 (13Cr)	F6+Hardf. NiCr Alloy	410+Hardf. NiCr Alloy
6	410 and Ni-Cu	F6-HFS	410 (13Cr)	F6 (13Cr)	Monel 400 (NiCu Alloy)
7	410 and Full Hard	410	410 (13Cr)	F6 (13Cr)	F6 (13Cr) (750HB)
8	410 and Hard Faced	F6-HFS	410 (13Cr)	F6 (13Cr)	410+St Gr6 (CoCr Alloy)
8A	410 and Hard Faced	F6-HFS	410 (13Cr)	F6 (13Cr)	410+Hardf. NiCr Alloy
9	Monel	Monel	Monel (NiCu Alloy)	Monel (NiCu Alloy)	Monel 400 (NiCu Alloy)
10	316	316	316 (18Cr-Ni-Mo)	316 (18Cr-Ni-Mo)	316 (18Cr-8Ni-Mo)
11	Monel and Hard Faced	Monel-HFS	Monel (NiCu Alloy)	Monel (NiCu Alloy)	Monel 400 St Gr6
11A	Monel and Hard Faced	Monel-HFS	Monel (NiCu Alloy)	Monel (NiCu Alloy)	410 Hardf. NiCrA
12	316 and Hard Faced	316-HFS	316 (18Cr-Ni-Mo)	316 (18Cr-Ni-Mo)	316+St Gr6
12A	316 and Hard Faced	316-HFS	316 (18Cr-Ni-Mo)	316 (18Cr-Ni-Mo)	316 Hardf. NiCr Alloy
13	Alloy 20	Alloy 20	Alloy 20 (19Cr-29Ni)	Alloy 20 (19Cr-29Ni)	Alloy 20 (19Cr-29Ni)
14	Aloy 20 and Hard Faced	Alloy 20-HFS	Alloy 20 (19Cr-29Ni)	Alloy 20 (19Cr-29Ni)	Alloy 20 St Gr6
14A	Alloy 20 and Hard Faced	Alloy 20-HFS	Alloy 20 (19Cr-29Ni)	Alloy 20 (19Cr-29Ni)	Alloy 20 Hardf. NiCr Alloy
15	304 Full Hard Faced	304-HF	304 (18Cr-8Ni-Mo)	304+St Gr6	304+St Gr6
16	316 Full Hard Faced	316-HF	316 HF (18Cr-8Ni-Mo)	316+St Gr6	316+St Gr6

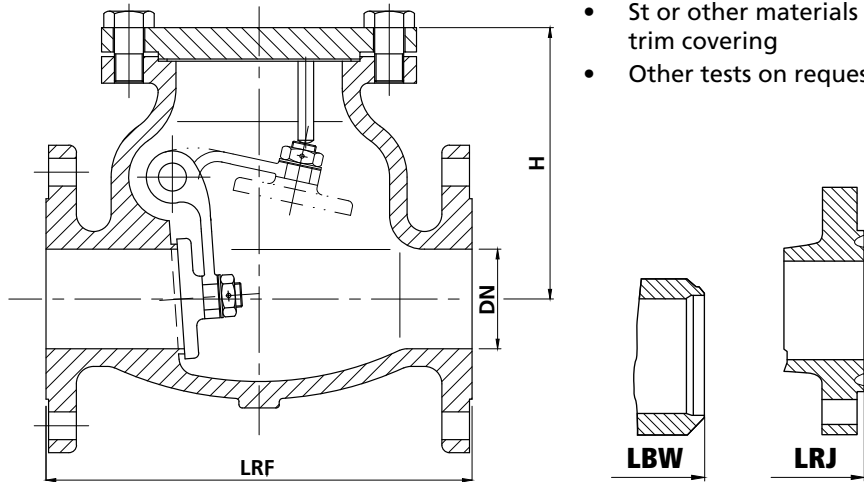
SWING CHECK VALVE 150

OPTIONS

- Special paintings
- St or other materials trim covering
- Other tests on request

DIMENSIONS (inches & mm)

DN Size (inches)	LRF - LBW (mm)	LRTJ (mm)	H (open) (mm)	Weight (kg)
1-1/2	165	178	150	10
2	203	216	170	14
2-1/2	216	229	180	22
3	241	254	185	23
4	292	305	215	37
5	330	349	240	63
6	356	368	260	67
8	495	508	300	116
10	622	635	350	190
12	699	711	400	283
14	787	800	450	398
16	864	876	480	521
18	978	991	540	730
20	978	991	600	780
24	1295	1308	680	1225



STANDARDS

- Design and manufacture: ANSI B16.34, API 6D or BS1868 Standard
- Face to face dimensions: ANSI B16.10
- Flange dimensions: ANSI B16.5, MSS SP-44 or API 605
- Butt welding ends: ANSI B16.25
- Test: API 598, API 6D

FEATURES

- Bolted Bonnet
- RF, RTJ and BW flanges

TRIM CONFIGURATIONS

API TRIM No	Nonimal Trim	Trim code	Stem	Disc/Wedge	Seat
1	F6	F6	410 (13Cr)	F6 (13Cr)	410 (13Cr)
2	304	304	304 (18Cr-8Ni)	304 (18Cr-8Ni)	304 (18Cr-8Ni)
3	310	310	(25Cr-20Ni)	310 (25Cr-20Ni)	310 (25Cr-20Ni)
4	Hard 410	F6-H	410 (13Cr)	F6 (13Cr)	F6 (13Cr)
5	410 Full Hard faced	F6-HF	410 (13Cr)	F6+St Gr6 (CoCr Alloy)	410+St Gr6 (CoCr Alloy)
5A	410 Full hard Faced	F6-HF	410 (13Cr)	F6+Hardf. NiCr Alloy	410+Hardf. NiCr Alloy
6	410 and Ni-Cu	F6-HFS	410 (13Cr)	F6 (13Cr)	Monel 400 (NiCu Alloy)
7	410 and Full Hard	410	410 (13Cr)	F6 (13Cr)	F6 (13Cr) (750HB)
8	410 and Hard Faced	F6-HFS	410 (13Cr)	F6 (13Cr)	410+St Gr6 (CoCr Alloy)
8A	410 and Hard Faced	F6-HFS	410 (13Cr)	F6 (13Cr)	410+Hardf. NiCr Alloy
9	Monel	Monel	Monel (NiCu Alloy)	Monel (NiCu Alloy)	Monel 400 (NiCu Alloy)
10	316	316	316 (18Cr-Ni-Mo)	316 (18Cr-Ni-Mo)	316 (18Cr-8Ni-Mo)
11	Monel and Hard Faced	Monel-HFS	Monel (NiCu Alloy)	Monel (NiCu Alloy)	Monel 400 St Gr6
11A	Monel and Hard Faced	Monel-HFS	Monel (NiCu Alloy)	Monel (NiCu Alloy)	410 Hardf. NiCrA
12	316 and Hard Faced	316-HFS	316 (18Cr-Ni-Mo)	316 (18Cr-Ni-Mo)	316+St Gr6
12A	316 and Hard Faced	316-HFS	316 (18Cr-Ni-Mo)	316 (18Cr-Ni-Mo)	316 Hardf. NiCr Alloy
13	Alloy 20	Alloy 20	Alloy 20 (19Cr-29Ni)	Alloy 20 (19Cr-29Ni)	Alloy 20 (19Cr-29Ni)
14	Aloy 20 and Hard Faced	Alloy 20-HFS	Alloy 20 (19Cr-29Ni)	Alloy 20 (19Cr-29Ni)	Alloy 20 St Gr6
14A	Alloy 20 and Hard Faced	Alloy 20-HFS	Alloy 20 (19Cr-29Ni)	Alloy 20 (19Cr-29Ni)	Alloy 20 Hardf. NiCr Alloy
15	304 Full Hard Faced	304-HF	304 (18Cr-8Ni-Mo)	304+St Gr6	304+St Gr6
16	316 Full Hard Faced	316-HF	316 HF (18Cr-8Ni-Mo)	316+St Gr6	316+St Gr6

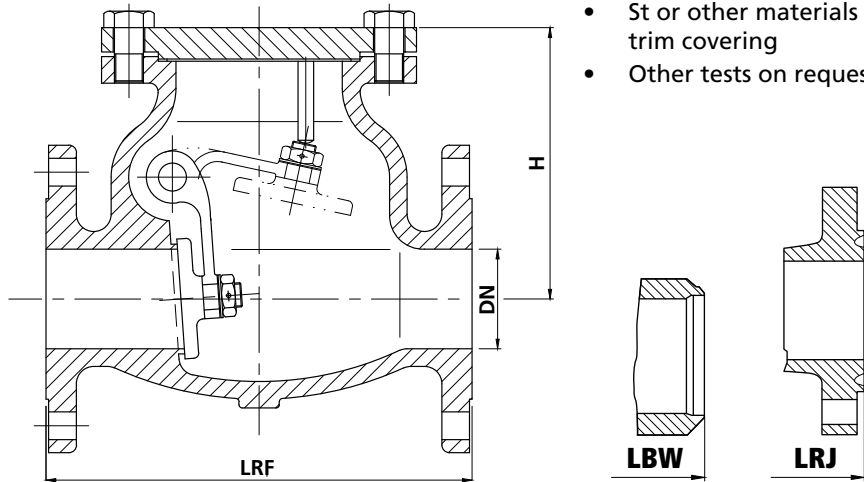
SWING CHECK VALVE 300

OPTIONS

- Special paintings
- St or other materials trim covering
- Other tests on request

DIMENSIONS (inches & mm)

DN Size (inches)	LRF - LBW (mm)	LRTJ (mm)	H (open) (mm)	Weight (kg)
1-1/2	241	254	160	13
2	267	283	170	18
2-1/2	292	308	185	27
3	318	333	215	35
4	360	371	235	57
5	400	416	270	106
6	445	460	300	113
8	533	549	340	172
10	622	638	350	260
12	711	727	420	418
14	838	854	480	695
16	864	879	520	685
18	978	994	600	925
20	1016	1035	670	1190
24	1346	1368	750	1525



STANDARDS

- Design and manufacture: ANSI B16.34, API 6D or BS1868 Standard
- Face to face dimensions: ANSI B16.10
- Flange dimensions: ANSI B16.5, MSS SP-44 or API 605
- Butt welding ends: ANSI B16.25
- Test: API 598, API 6D

FEATURES

- Bolted Bonnet
- RF, RTJ and BW flanges

TRIM CONFIGURATIONS

API TRIM No	Nonimal Trim	Trim code	Stem	Disc/Wedge	Seat
1	F6	F6	410 (13Cr)	F6 (13Cr)	410 (13Cr)
2	304	304	304 (18Cr-8Ni)	304 (18Cr-8Ni)	304 (18Cr-8Ni)
3	310	310	(25Cr-20Ni)	310 (25Cr-20Ni)	310 (25Cr-20Ni)
4	Hard 410	F6-H	410 (13Cr)	F6 (13Cr)	F6 (13Cr)
5	410 Full Hard faced	F6-HF	410 (13Cr)	F6+St Gr6 (CoCr Alloy)	410+St Gr6 (CoCr Alloy)
5A	410 Full hard Faced	F6-HF	410 (13Cr)	F6+Hardf. NiCr Alloy	410+Hardf. NiCr Alloy
6	410 and Ni-Cu	F6-HFS	410 (13Cr)	F6 (13Cr)	Monel 400 (NiCu Alloy)
7	410 and Full Hard	410	410 (13Cr)	F6 (13Cr)	F6 (13Cr) (750HB)
8	410 and Hard Faced	F6-HFS	410 (13Cr)	F6 (13Cr)	410+St Gr6 (CoCr Alloy)
8A	410 and Hard Faced	F6-HFS	410 (13Cr)	F6 (13Cr)	410+Hardf. NiCr Alloy
9	Monel	Monel	Monel (NiCu Alloy)	Monel (NiCu Alloy)	Monel 400 (NiCu Alloy)
10	316	316	316 (18Cr-Ni-Mo)	316 (18Cr-Ni-Mo)	316 (18Cr-8Ni-Mo)
11	Monel and Hard Faced	Monel-HFS	Monel (NiCu Alloy)	Monel (NiCu Alloy)	Monel 400 St Gr6
11A	Monel and Hard Faced	Monel-HFS	Monel (NiCu Alloy)	Monel (NiCu Alloy)	410 Hardf. NiCrA
12	316 and Hard Faced	316-HFS	316 (18Cr-Ni-Mo)	316 (18Cr-Ni-Mo)	316+St Gr6
12A	316 and Hard Faced	316-HFS	316 (18Cr-Ni-Mo)	316 (18Cr-Ni-Mo)	316 Hardf. NiCr Alloy
13	Alloy 20	Alloy 20	Alloy 20 (19Cr-29Ni)	Alloy 20 (19Cr-29Ni)	Alloy 20 (19Cr-29Ni)
14	Aloy 20 and Hard Faced	Alloy 20-HFS	Alloy 20 (19Cr-29Ni)	Alloy 20 (19Cr-29Ni)	Alloy 20 St Gr6
14A	Alloy 20 and Hard Faced	Alloy 20-HFS	Alloy 20 (19Cr-29Ni)	Alloy 20 (19Cr-29Ni)	Alloy 20 Hardf. NiCr Alloy
15	304 Full Hard Faced	304-HF	304 (18Cr-8Ni-Mo)	304+St Gr6	304+St Gr6
16	316 Full Hard Faced	316-HF	316 HF (18Cr-8Ni-Mo)	316+St Gr6	316+St Gr6

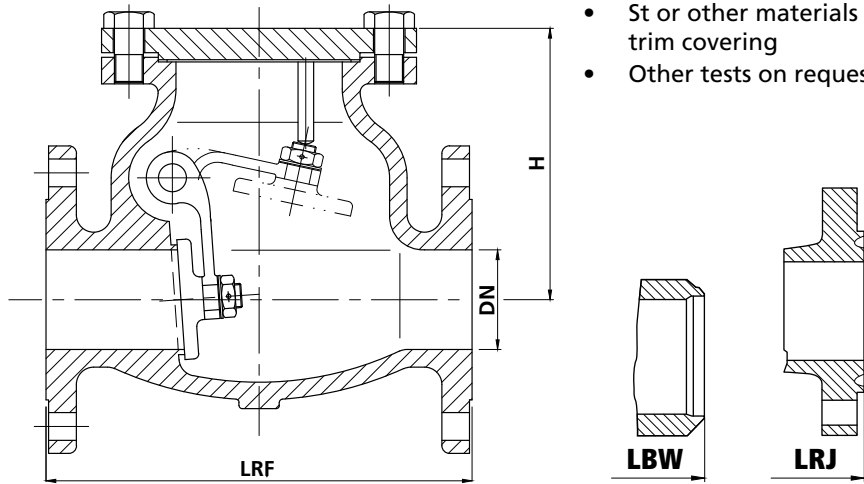
SWING CHECK VALVE 600

OPTIONS

- Special paintings
- St or other materials trim covering
- Other tests on request

DIMENSIONS (inches & mm)

DN Size (inches)	LRF - LBW (mm)	LRTJ (mm)	H (open) (mm)	Weight (kg)
2	292	295	175	24
2-1/2	330	333	200	34
3	356	359	230	46
4	432	435	295	76
6	559	562	360	176
8	660	664	400	316
10	787	791	460	575
12	838	841	520	730
14	889	892	560	822
16	991	994	650	1110
18	1092	1095	730	1475
20	1194	1200	800	2225
24	1397	1407	900	2880



STANDARDS

- Design and manufacture: ANSI B16.34, API 6D or BS1868 Standard
- Face to face dimensions: ANSI B16.10
- Flange dimensions: ANSI B16.5, MSS SP-44 or API 605
- Butt welding ends: ANSI B16.25
- Test: API 598, API 6D

FEATURES

- Bolted Bonnet
- RF, RTJ and BW flanges

TRIM CONFIGURATIONS

API TRIM No	Nonimal Trim	Trim code	Stem	Disc/Wedge	Seat
1	F6	F6	410 (13Cr)	F6 (13Cr)	410 (13Cr)
2	304	304	304 (18Cr-8Ni)	304 (18Cr-8Ni)	304 (18Cr-8Ni)
3	310	310	(25Cr-20Ni)	310 (25Cr-20Ni)	310 (25Cr-20Ni)
4	Hard 410	F6-H	410 (13Cr)	F6 (13Cr)	F6 (13Cr)
5	410 Full Hard faced	F6-HF	410 (13Cr)	F6+St Gr6 (CoCr Alloy)	410+St Gr6 (CoCr Alloy)
5A	410 Full hard Faced	F6-HF	410 (13Cr)	F6+Hardf. NiCr Alloy	410+Hardf. NiCr Alloy
6	410 and Ni-Cu	F6-HFS	410 (13Cr)	F6 (13Cr)	Monel 400 (NiCu Alloy)
7	410 and Full Hard	410	410 (13Cr)	F6 (13Cr)	F6 (13Cr) (750HB)
8	410 and Hard Faced	F6-HFS	410 (13Cr)	F6 (13Cr)	410+St Gr6 (CoCr Alloy)
8A	410 and Hard Faced	F6-HFS	410 (13Cr)	F6 (13Cr)	410+Hardf. NiCr Alloy
9	Monel	Monel	Monel (NiCu Alloy)	Monel (NiCu Alloy)	Monel 400 (NiCu Alloy)
10	316	316	316 (18Cr-Ni-Mo)	316 (18Cr-Ni-Mo)	316 (18Cr-8Ni-Mo)
11	Monel and Hard Faced	Monel-HFS	Monel (NiCu Alloy)	Monel (NiCu Alloy)	Monel 400 St Gr6
11A	Monel and Hard Faced	Monel-HFS	Monel (NiCu Alloy)	Monel (NiCu Alloy)	410 Hardf. NiCrA
12	316 and Hard Faced	316-HFS	316 (18Cr-Ni-Mo)	316 (18Cr-Ni-Mo)	316+St Gr6
12A	316 and Hard Faced	316-HFS	316 (18Cr-Ni-Mo)	316 (18Cr-Ni-Mo)	316 Hardf. NiCr Alloy
13	Alloy 20	Alloy 20	Alloy 20 (19Cr-29Ni)	Alloy 20 (19Cr-29Ni)	Alloy 20 (19Cr-29Ni)
14	Aloy 20 and Hard Faced	Alloy 20-HFS	Alloy 20 (19Cr-29Ni)	Alloy 20 (19Cr-29Ni)	Alloy 20 St Gr6
14A	Alloy 20 and Hard Faced	Alloy 20-HFS	Alloy 20 (19Cr-29Ni)	Alloy 20 (19Cr-29Ni)	Alloy 20 Hardf. NiCr Alloy
15	304 Full Hard Faced	304-HF	304 (18Cr-8Ni-Mo)	304+St Gr6	304+St Gr6
16	316 Full Hard Faced	316-HF	316 HF (18Cr-8Ni-Mo)	316+St Gr6	316+St Gr6

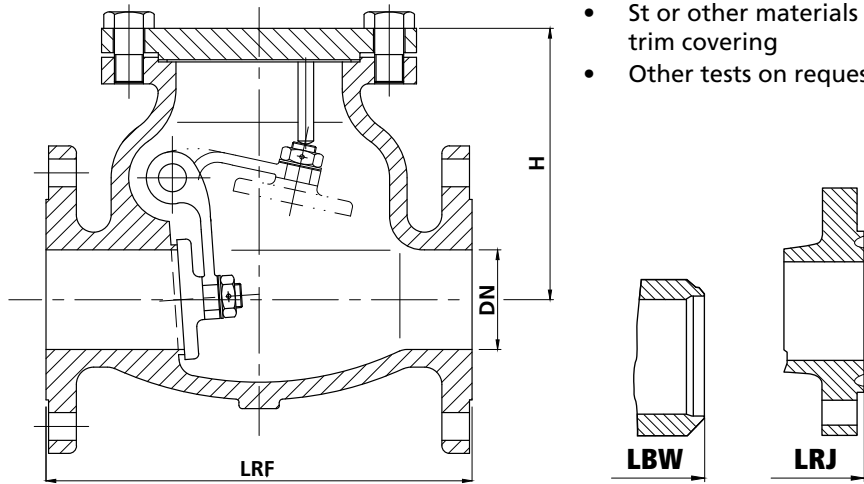
SWING CHECK VALVE 900

OPTIONS

- Special paintings
- St or other materials trim covering
- Other tests on request

DIMENSIONS (inches & mm)

DN Size (inches)	LRF - LBW (mm)	LRTJ (mm)	H (open) (mm)	Weight (kg)
2	368	371	250	65
2-1/2	419	422	270	87
3	381	384	230	77
4	457	460	310	133
6	610	613	360	292
8	737	740	430	440
10	838	841	480	690
12	965	968	560	970
14	1029	1038	630	1260
16	1130	1140	700	1660
18	1219	1232	750	2185
20	1321	1334	850	3300
24	1549	1568	1000	4450



STANDARDS

- Design and manufacture: ANSI B16.34, API 6D or BS1868 Standard
- Face to face dimensions: ANSI B16.10
- Flange dimensions: ANSI B16.5, MSS SP-44 or API 605
- Butt welding ends: ANSI B16.25
- Test: API 598, API 6D

FEATURES

- Bolted Bonnet
- RF, RTJ and BW flanges

TRIM CONFIGURATIONS

API TRIM No	Nonimal Trim	Trim code	Stem	Disc/Wedge	Seat
1	F6	F6	410 (13Cr)	F6 (13Cr)	410 (13Cr)
2	304	304	304 (18Cr-8Ni)	304 (18Cr-8Ni)	304 (18Cr-8Ni)
3	310	310	(25Cr-20Ni)	310 (25Cr-20Ni)	310 (25Cr-20Ni)
4	Hard 410	F6-H	410 (13Cr)	F6 (13Cr)	F6 (13Cr)
5	410 Full Hard faced	F6-HF	410 (13Cr)	F6+St Gr6 (CoCr Alloy)	410+St Gr6 (CoCr Alloy)
5A	410 Full hard Faced	F6-HF	410 (13Cr)	F6+Hardf. NiCr Alloy	410+Hardf. NiCr Alloy
6	410 and Ni-Cu	F6-HFS	410 (13Cr)	F6 (13Cr)	Monel 400 (NiCu Alloy)
7	410 and Full Hard	410	410 (13Cr)	F6 (13Cr)	F6 (13Cr) (750HB)
8	410 and Hard Faced	F6-HFS	410 (13Cr)	F6 (13Cr)	410+St Gr6 (CoCr Alloy)
8A	410 and Hard Faced	F6-HFS	410 (13Cr)	F6 (13Cr)	410+Hardf. NiCr Alloy
9	Monel	Monel	Monel (NiCu Alloy)	Monel (NiCu Alloy)	Monel 400 (NiCu Alloy)
10	316	316	316 (18Cr-Ni-Mo)	316 (18Cr-Ni-Mo)	316 (18Cr-8Ni-Mo)
11	Monel and Hard Faced	Monel-HFS	Monel (NiCu Alloy)	Monel (NiCu Alloy)	Monel 400 St Gr6
11A	Monel and Hard Faced	Monel-HFS	Monel (NiCu Alloy)	Monel (NiCu Alloy)	410 Hardf. NiCrA
12	316 and Hard Faced	316-HFS	316 (18Cr-Ni-Mo)	316 (18Cr-Ni-Mo)	316+St Gr6
12A	316 and Hard Faced	316-HFS	316 (18Cr-Ni-Mo)	316 (18Cr-Ni-Mo)	316 Hardf. NiCr Alloy
13	Alloy 20	Alloy 20	Alloy 20 (19Cr-29Ni)	Alloy 20 (19Cr-29Ni)	Alloy 20 (19Cr-29Ni)
14	Aloy 20 and Hard Faced	Alloy 20-HFS	Alloy 20 (19Cr-29Ni)	Alloy 20 (19Cr-29Ni)	Alloy 20 St Gr6
14A	Alloy 20 and Hard Faced	Alloy 20-HFS	Alloy 20 (19Cr-29Ni)	Alloy 20 (19Cr-29Ni)	Alloy 20 Hardf. NiCr Alloy
15	304 Full Hard Faced	304-HF	304 (18Cr-8Ni-Mo)	304+St Gr6	304+St Gr6
16	316 Full Hard Faced	316-HF	316 HF (18Cr-8Ni-Mo)	316+St Gr6	316+St Gr6

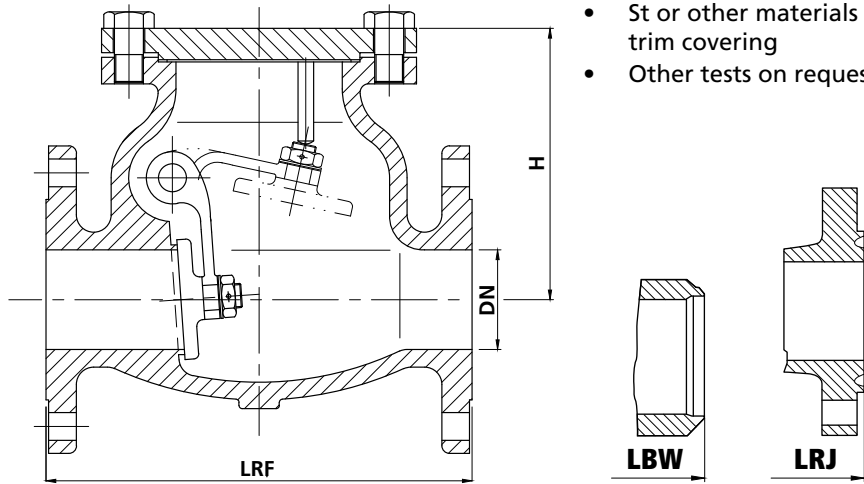
COD. CVA1500-SWING // STANDARD ANSI
SWING CHECK VALVE 1500

OPTIONS

- Special paintings
- St or other materials trim covering
- Other tests on request

DIMENSIONS (inches & mm)

DN Size (inches)	LRF - LBW (mm)	LRTJ (mm)	H (open) (mm)	Weight (kg)
2	368	371	250	65
2-1/2	419	422	270	84
3	470	473	300	105
4	546	549	330	210
6	705	711	460	495
8	832	841	500	865
10	991	1000	560	1168
12	1130	1146	650	1710
14	1257	1276	750	2380
16	1384	1407	800	2980
18	1537	1559	900	3720
20	1664	1686	1000	5575
24	1943	1972	1200	7550



STANDARDS

- Design and manufacture: ANSI B16.34, API 6D or BS1868 Standard
- Face to face dimensions: ANSI B16.10
- Flange dimensions: ANSI B16.5, MSS SP-44 or API 605
- Butt welding ends: ANSI B16.25
- Test: API 598, API 6D

FEATURES

- Bolted Bonnet
- RF, RTJ and BW flanges

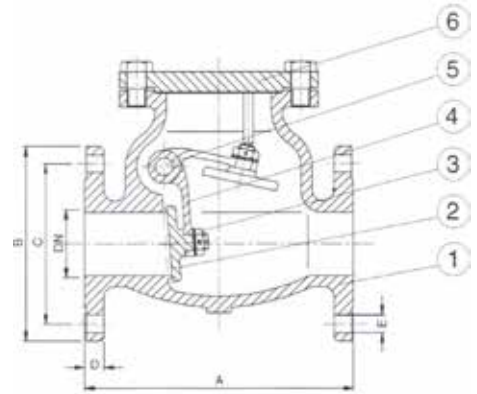
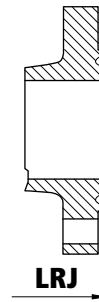
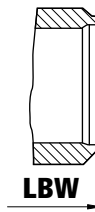
TRIM CONFIGURATIONS

API TRIM No	Nonimal Trim	Trim code	Stem	Disc/Wedge	Seat
1	F6	F6	410 (13Cr)	F6 (13Cr)	410 (13Cr)
2	304	304	304 (18Cr-8Ni)	304 (18Cr-8Ni)	304 (18Cr-8Ni)
3	310	310	(25Cr-20Ni)	310 (25Cr-20Ni)	310 (25Cr-20Ni)
4	Hard 410	F6-H	410 (13Cr)	F6 (13Cr)	F6 (13Cr)
5	410 Full Hard faced	F6-HF	410 (13Cr)	F6+St Gr6 (CoCr Alloy)	410+St Gr6 (CoCr Alloy)
5A	410 Full hard Faced	F6-HF	410 (13Cr)	F6+Hardf. NiCr Alloy	410+Hardf. NiCr Alloy
6	410 and Ni-Cu	F6-HFS	410 (13Cr)	F6 (13Cr)	Monel 400 (NiCu Alloy)
7	410 and Full Hard	410	410 (13Cr)	F6 (13Cr)	F6 (13Cr) (750HB)
8	410 and Hard Faced	F6-HFS	410 (13Cr)	F6 (13Cr)	410+St Gr6 (CoCr Alloy)
8A	410 and Hard Faced	F6-HFS	410 (13Cr)	F6 (13Cr)	410+Hardf. NiCr Alloy
9	Monel	Monel	Monel (NiCu Alloy)	Monel (NiCu Alloy)	Monel 400 (NiCu Alloy)
10	316	316	316 (18Cr-Ni-Mo)	316 (18Cr-Ni-Mo)	316 (18Cr-8Ni-Mo)
11	Monel and Hard Faced	Monel-HFS	Monel (NiCu Alloy)	Monel (NiCu Alloy)	Monel 400 St Gr6
11A	Monel and Hard Faced	Monel-HFS	Monel (NiCu Alloy)	Monel (NiCu Alloy)	410 Hardf. NiCrA
12	316 and Hard Faced	316-HFS	316 (18Cr-Ni-Mo)	316 (18Cr-Ni-Mo)	316+St Gr6
12A	316 and Hard Faced	316-HFS	316 (18Cr-Ni-Mo)	316 (18Cr-Ni-Mo)	316 Hardf. NiCr Alloy
13	Alloy 20	Alloy 20	Alloy 20 (19Cr-29Ni)	Alloy 20 (19Cr-29Ni)	Alloy 20 (19Cr-29Ni)
14	Aloy 20 and Hard Faced	Alloy 20-HFS	Alloy 20 (19Cr-29Ni)	Alloy 20 (19Cr-29Ni)	Alloy 20 St Gr6
14A	Alloy 20 and Hard Faced	Alloy 20-HFS	Alloy 20 (19Cr-29Ni)	Alloy 20 (19Cr-29Ni)	Alloy 20 Hardf. NiCr Alloy
15	304 Full Hard Faced	304-HF	304 (18Cr-8Ni-Mo)	304+St Gr6	304+St Gr6
16	316 Full Hard Faced	316-HF	316 HF (18Cr-8Ni-Mo)	316+St Gr6	316+St Gr6

SWING CHECK VALVE PN16

OPTIONS

- Special paintings
- St or other materials trim covering
- Other tests on request



DIMENSIONS (mm)

DN	40	50	65	80	100	150	200
A	180	200	240	260	300	355	500
B	150	165	185	200	220	285	340
C	110	125	145	160	180	240	295
D	18	18	20	20	20	22	24
E	18	18	18	18	18	23	23
N*	4	4	4	8	8	8	12

* N° of holes

STANDARDS

- Sides distance according to DIN 3202
 - Design: DIN 3352
- Flanges according to UNI EN 1092-1 PN 16

FEATURES

- Bolted Bonnet
- RF, RTJ and BW flanges

TRIM CONFIGURATIONS

API TRIM No	Nonimal Trim	Trim code	Stem	Disc/Wedge	Seat
1	F6	F6	410 (13Cr)	F6 (13Cr)	410 (13Cr)
2	304	304	304 (18Cr-8Ni)	304 (18Cr-8Ni)	304 (18Cr-8Ni)
3	310	310	(25Cr-20Ni)	310 (25Cr-20Ni)	310 (25Cr-20Ni)
4	Hard 410	F6-H	410 (13Cr)	F6 (13Cr)	F6 (13Cr)
5	410 Full Hard faced	F6-HF	410 (13Cr)	F6+St Gr6 (CoCr Alloy)	410+St Gr6 (CoCr Alloy)
5A	410 Full hard Faced	F6-HF	410 (13Cr)	F6+Hardf. NiCr Alloy	410+Hardf. NiCr Alloy
6	410 and Ni-Cu	F6-HFS	410 (13Cr)	F6 (13Cr)	Monel 400 (NiCu Alloy)
7	410 and Full Hard	410	410 (13Cr)	F6 (13Cr)	F6 (13Cr) (750HB)
8	410 and Hard Faced	F6-HFS	410 (13Cr)	F6 (13Cr)	410+St Gr6 (CoCr Alloy)
8A	410 and Hard Faced	F6-HFS	410 (13Cr)	F6 (13Cr)	410+Hardf. NiCr Alloy
9	Monel	Monel	Monel (NiCu Alloy)	Monel (NiCu Alloy)	Monel 400 (NiCu Alloy)
10	316	316	316 (18Cr-Ni-Mo)	316 (18Cr-Ni-Mo)	316 (18Cr-8Ni-Mo)
11	Monel and Hard Faced	Monel-HFS	Monel (NiCu Alloy)	Monel (NiCu Alloy)	Monel 400 St Gr6
11A	Monel and Hard Faced	Monel-HFS	Monel (NiCu Alloy)	Monel (NiCu Alloy)	410 Hardf. NiCrA
12	316 and Hard Faced	316-HFS	316 (18Cr-Ni-Mo)	316 (18Cr-Ni-Mo)	316+St Gr6
12A	316 and Hard Faced	316-HFS	316 (18Cr-Ni-Mo)	316 (18Cr-Ni-Mo)	316 Hardf. NiCr Alloy
13	Alloy 20	Alloy 20	Alloy 20 (19Cr-29Ni)	Alloy 20 (19Cr-29Ni)	Alloy 20 (19Cr-29Ni)
14	Aloy 20 and Hard Faced	Alloy 20-HFS	Alloy 20 (19Cr-29Ni)	Alloy 20 (19Cr-29Ni)	Alloy 20 St Gr6
14A	Alloy 20 and Hard Faced	Alloy 20-HFS	Alloy 20 (19Cr-29Ni)	Alloy 20 (19Cr-29Ni)	Alloy 20 Hardf. NiCr Alloy
15	304 Full Hard Faced	304-HF	304 (18Cr-8Ni-Mo)	304+St Gr6	304+St Gr6
16	316 Full Hard Faced	316-HF	316 HF (18Cr-8Ni-Mo)	316+St Gr6	316+St Gr6

CHECK VALVE MATERIALS

Material Group	Common name	Material Type	Forging Spec	UNS	Casting Spec. Equivalent	DIN	DIN W. No	Application
Carbon Steel	CS	C-Mn-Fe	A105N	K03504	A216-WCB	C22.8 DIN 17243	1.0460	General non-corrosive service from -29°C to 427°C
Low temperature Carbon Steel	LTCS	C-Mn-Fe	A350-LF2	K03011	A352-LC1	TSTE 355 DIN 18103	1.0566	General non-corrosive service from -46°C to 340°C, LF2 to 427°C
					A352-LCB			
					A352-LCC			
Low temperature alloy steel	Nickel Steel	3.1/2Ni	A350-LF	K32025	A352-LC3	10Ni14	1.5637	-101°) to 340°C
Low Alloy Steel	Moly Steel	C-1/2Mo	A182-F1	K12822	A217-WC1	15Mo3	1.5415	Up to 468°C
	Alloy Steel Chrome Moly	1.1/4Cr-1/2Mo	A182-F11 cI2	K11572	A217-WC6	13CrMo44	1.7335	Up to 593°C
		2.1/4Cr-1Mo	A182-F22 cI3	K21590	A217-WC9	10CrMo910	1.7380	Up to 593°C, HP steam
		5Cr-1/2Mo	A182-F5a	K41545	A217-C5	12CrMo195	1.7362	High temp. refinery service
		9Cr-1Mo	A182-F9	K90941	A217-C12	X 12 CrMo 9 1	1.7386	High temp. erosive refinery service
		9Cr-1Mo-V	A182-F91		A217-C12A	X 10 CrMoVNb 9 1	1.4903	High pressure steam
Stainless Steel	Austenitic S.Steel 300 series S. Steel	304 : 18Cr-8N	A182-F304	S30400	A351-CF8	DIN X5CrNi 18 9	1.4301	0.04% min. carbon for temp. >538°C
		304L : 18Cr-8Ni	A182-F304L	S30403	A351-CF3	X 2 CrNi 19 11	1.4306	Up to 427°C
		304H	A182-F304H	S30409	A351-CF10	n/a	n/a	
		316 : 16Cr-12Ni-2Mo	A182-F316	S31600	A351-CF8M	DIN X5CrNiMo 18 10	1.4401	0.04% min. carbon for temp. >538°C
		316L : 16Cr-12Ni-2Mo	A182-F316L	S31603	A351-CF3M	X 5 CrNiMo 17 12 2	1.4404	Up to 427°C
		316H :	A182-F316H	S31609	A351-CF10M	n/a	n/a	
		316Ti :	A182-F316 Ti	S31635		X 6 CrNiMoTi 17 12 2 1.4571	1.4571	Special grade
		321 : 18Cr-10Ni-Ti	A182-F321	S32100		X 6 CrNiTi 18 10	1.4541	0.04%min. carbon (grade F321H) and heat treat at 1100°C for service temps. >538°C
		321H	A182-F321H	S32109		n/a	n/a	
		347 : 18Cr-10Ni-Cb(Nb)	A182-F347	S34700	A351-CF8C	DIN 8556	1.4550	0.04%min. carbon (grade F347H) and heat treat at 1100°C for service temps. >538°C
	347H	A182-F347H	S34709		n/a	n/a		
	317L	A182-F317L	S31703	A351-CG3M*	X2CrNi-Mo18-16-4	1.4438		
	Alloy 20	28Ni-19Cr-Cu-Mo	A182-F20*	N08020	A351-CN7M†	DIN 1.4500	2.4660	Service to 316°C*
	Duplex 2205	22Cr-5Ni-3Mo-N	A182-F51	S31803	A351-CD3MN	X2CrNi-MoN22-5-3	1.4462	Service to 316°C – The original S31803 UNS designation has been supplemented by S32205 which has higher minimum N,CR, and Mo
				S32205	A890-J92205	DIN 10088-1 (95)		
	Super Duplex 2507	25Cr-7Ni-4Mo-N	A182-F53	S32750	A351-CD4MCu*	X2CrNi-MoN27-7-4	1.4501	Service to 316°C
					A890 5A*	DIN 10088-1 (95)		
	Super Duplex F55	25Cr-7Ni-3.5Mo-N-Cu-W	A182-F55	S32760	A995-CD3MW-CuN			Service to 316°C
	Super Austenitic 6Mo	20Cr-18Ni-6Mo	A182-F44	S31254	A351-CK3MCuN	X1CrNiMoC-uN20-18-7	1.4547	Service to 316°C
DIN 10088-1 (95)								
Nickel-Iron Alloy	Incoloy 800	33Ni-42Fe-21Cr	B564-N08800	N08800		X10NiCrAl-Ti32-20	1.4876	Service to 538°C
	Incoloy 825	42Ni-21.5Cr-3Mo-2.3Cu	B564-N08825	N08825	A494-CU5M-CuC*	DIN 17744	2.4858	Service to 316°C for N02200, 648°C for N02201
Nickel	Nickel Steel	99/95Ni	B160-N02200 (bar)	N02200	A494-CZ-100*	NW2200	1.7740	
Nickel-Copper	Monel 400	67Ni-30Cu	B564-N04400	N04400	A494-M35-1	DIN 17730	2.4360	
	Monel 500		B564-N05500*	N05500			2.4375	
Nickel-Alloy	904L		904L*	N08904	n/a	Z2 NCDU 25-20	1.4539	
Nickel Super-alloys	Inconel 600	72Ni-15Cr-8Fe	B564-N06600	N06600	A494-CY40*	DIN 17742	2.4816	
	Inconel 625	60Ni-22Cr-9Mo-3.5Cb	B564-N06625	N06625	A494-CW-6MC*		2.4856	
	Hastelloy C-276	54Ni-15Cr-16Mo	B564-N10276	N10276	A494-CW-2M*	NiMo 16 Cr 15 W	2.4819	
Titanium	Titanium	98Ti	B381-Gr2	R50400	B367-C2*	Ti 2	3.7035	Special grade

COREING

Coreing nasce dalla capacità ed estro imprenditoriale dell'Ing. Marcello Salvadori, oggi affiancato dal figlio Andrea, due lauree in ingegneria elettronica e automazione. L'azienda si occupa di forniture industriali e di soluzioni ingegneristiche nel campo dell'impiantistica e dell'automazione.

Nell'assistenza clienti, ci serviamo di figure professionali specializzate nei vari campi di interesse e operanti in sinergia. In tal modo Coreing si propone di offrire le migliori competenze e soluzioni.

Oggi, grazie alla trentennale esperienza maturata sul campo e a un costante impegno nella selezione dei prodotti che meglio si adattano alle richieste dei clienti, siamo in grado di fornire una vasta gamma di articoli a prezzi competitivi, ottenuti grazie alle partnership con le aziende produttrici.

Coreing company works in the field of technical items sale for industrial supplies: a wide range of products as Gate Valves, Globe valves, Check valves, Ball valves, Butterfly valves, Forged valves, Water valves, Flanges and Tubes.

The company on the strength of its thirty-year experience in this field and with the help of a highly qualified personnel, is able to give to its customers solutions at competitive prices and consultancy services suitable for every needs, from materials research to their installation.

Products offered by Coreing appeal to companies in waterworks, plant engineering and automation sector all over the world.

COREING

Florence: Via del Sansovino 183A, 50142
Firenze (FI)

Follonica: Via Buonarroti 67, Follonica (GR)

Phone: +39 055 0468948

P.IVA IT06597830485

www.coreing.com // info@coreing.com

