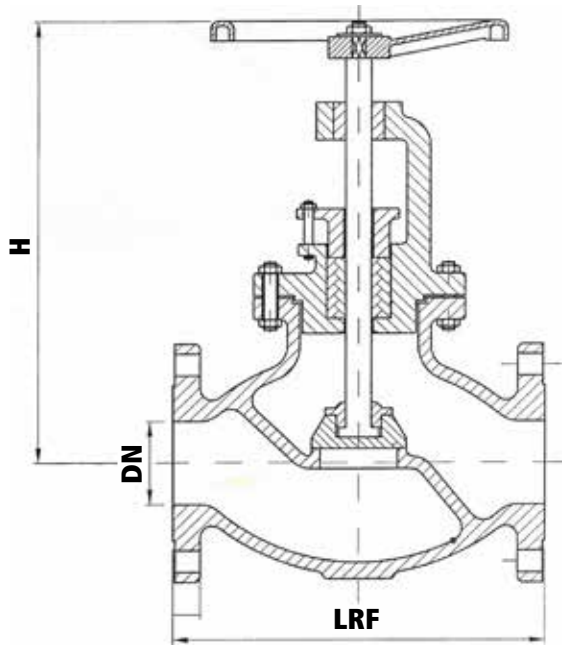


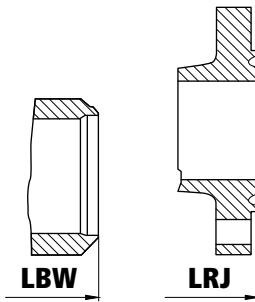


# GLOBE VALVE 150



## OPTIONS

- Bellow Seal
- Security lock installation
- Special paintings
- St or other materials trim covering
- Other tests on request



## DIMENSIONS (inches & mm)

DN Size (inches)	LRF - LBW (mm)	LRTJ (mm)	H (open) (mm)	Weight (kg)
2	203	216	330	21
2-1/2	216	229	390	29
3	241	254	440	36
4	292	305	440	56
5	356	368	540	85
6	406	419	580	95
8	495	508	680	157
10	622	635	785	225
12	699	711	940	387
14	787	800	1020	425
16	914	927	1020	589

## STANDARDS

- Design and manufacture: ANSI B16.34, API 600 and BS1873 Standard
- Face to face dimensions: ANSI B16.10
- Flange dimensions: ANSI B16.5, MSS SP-44 or API 605
- Butt welding ends: ANSI B16.25
- Test: API 598, API 6D

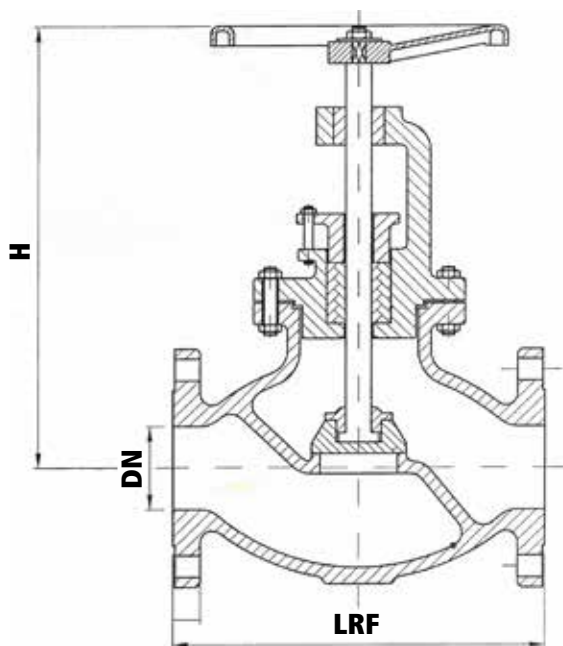
## FEATURES

- Bolted Bonnet
- Outside screw and yorke
- Rising stem
- Handweel or gear operator
- RF, RTJ and BW flanges

## TRIM CONFIGURATIONS

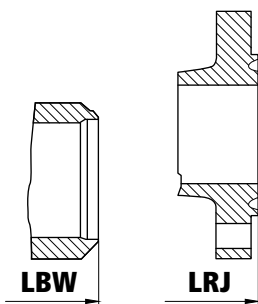
API TRIM No	Nonimal Trim	Trim code	Stem	Disc/Wedge	Seat
1	F6	F6	410 (13Cr)	F6 (13Cr)	410 (13Cr)
2	304	304	304 (18Cr-8Ni)	304 (18Cr-8Ni)	304 (18Cr-8Ni)
3	310	310	(25Cr-20Ni)	310 (25Cr-20Ni)	310 (25Cr-20Ni)
4	Hard 410	F6-H	410 (13Cr)	F6 (13Cr)	F6 (13Cr)
5	410 Full Hard faced	F6-HF	410 (13Cr)	F6+St Gr6 (CoCr Alloy)	410+St Gr6 (CoCr Alloy)
5A	410 Full hard Faced	F6-HF	410 (13Cr)	F6+Hardf. NiCr Alloy	410+Hardf. NiCr Alloy
6	410 and Ni-Cu	F6-HFS	410 (13Cr)	F6 (13Cr)	Monel 400 (NiCu Alloy)
7	410 and Full Hard	410	410 (13Cr)	F6 (13Cr)	F6 (13Cr) (750HB)
8	410 and Hard Faced	F6-HFS	410 (13Cr)	F6 (13Cr)	410+St Gr6 (CoCr Alloy)
8A	410 and Hard Faced	F6-HFS	410 (13Cr)	F6 (13Cr)	410+Hardf. NiCr Alloy
9	Monel	Monel	Monel (NiCu Alloy)	Monel (NiCu Alloy)	Monel 400 (NiCu Alloy)
10	316	316	316 (18Cr-Ni-Mo)	316 (18Cr-Ni-Mo)	316 (18Cr-8Ni-Mo)
11	Monel and Hard Faced	Monel-HFS	Monel (NiCu Alloy)	Monel (NiCu Alloy)	Monel 400 St Gr6
11A	Monel and Hard Faced	Monel-HFS	Monel (NiCu Alloy)	Monel (NiCu Alloy)	410 Hardf. NiCrA
12	316 and Hard Faced	316-HFS	316 (18Cr-Ni-Mo)	316 (18Cr-Ni-Mo)	316+St Gr6
12A	316 and Hard Faced	316-HFS	316 (18Cr-Ni-Mo)	316 (18Cr-Ni-Mo)	316 Hardf. NiCr Alloy
13	Alloy 20	Alloy 20	Alloy 20 (19Cr-29Ni)	Alloy 20 (19Cr-29Ni)	Alloy 20 (19Cr-29Ni)
14	Aloy 20 and Hard Faced	Alloy 20-HFS	Alloy 20 (19Cr-29Ni)	Alloy 20 (19Cr-29Ni)	Alloy 20 St Gr6
14A	Alloy 20 and Hard Faced	Alloy 20-HFS	Alloy 20 (19Cr-29Ni)	Alloy 20 (19Cr-29Ni)	Alloy 20 Hardf. NiCr Alloy
15	304 Full Hard Faced	304-HF	304 (18Cr-8Ni-Mo)	304+St Gr6	304+St Gr6
16	316 Full Hard Faced	316-HF	316 HF (18Cr-8Ni-Mo)	316+St Gr6	316+St Gr6

# GLOBE VALVE 300



## OPTIONS

- Bellow Seal
- Security lock installation
- Special paintings
- St or other materials trim covering
- Other tests on request



## DIMENSIONS (inches & mm)

DN Size (inches)	LRF - LBW (mm)	LRTJ (mm)	H (open) (mm)	Weight (kg)
2	267	283	425	24
2-1/2	292	308	465	37
3	318	333	530	48
4	356	371	610	74
5	400	416	695	120
6	445	460	790	140
8	559	575	870	225
10	622	638	1040	310
12	711	727	1140	453
14	838	854	1200	590
16	864	880	1400	680

## STANDARDS

- Design and manufacture: ANSI B16.34, API 600 and BS1873 Standard
- Face to face dimensions: ANSI B16.10
- Flange dimensions: ANSI B16.5, MSS SP-44 or API 605
- Butt welding ends: ANSI B16.25
- Test: API 598, API 6D

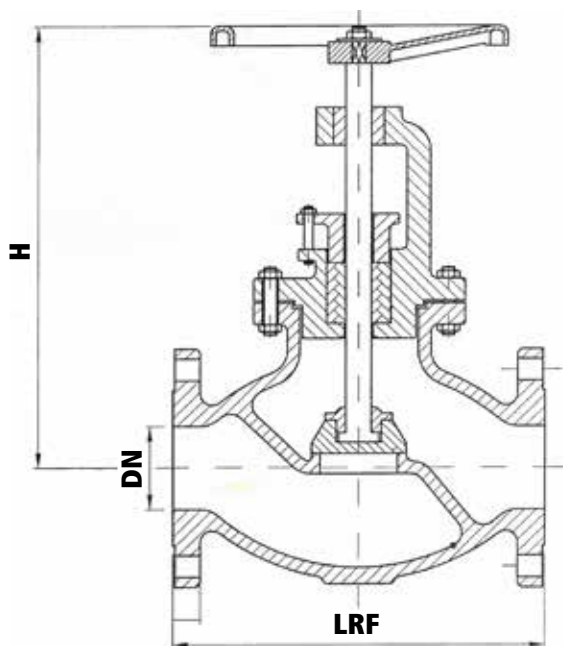
## FEATURES

- Bolted Bonnet
- Outside screw and yorke
- Rising stem
- Handweel or gear operator
- RF, RTJ and BW flanges

## TRIM CONFIGURATIONS

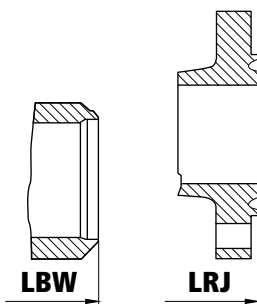
API TRIM No	Nonimal Trim	Trim code	Stem	Disc/Wedge	Seat
1	F6	F6	410 (13Cr)	F6 (13Cr)	410 (13Cr)
2	304	304	304 (18Cr-8Ni)	304 (18Cr-8Ni)	304 (18Cr-8Ni)
3	310	310	(25Cr-20Ni)	310 (25Cr-20Ni)	310 (25Cr-20Ni)
4	Hard 410	F6-H	410 (13Cr)	F6 (13Cr)	F6 (13Cr)
5	410 Full Hard faced	F6-HF	410 (13Cr)	F6+St Gr6 (CoCr Alloy)	410+St Gr6 (CoCr Alloy)
5A	410 Full hard Faced	F6-HF	410 (13Cr)	F6+Hardf. NiCr Alloy	410+Hardf. NiCr Alloy
6	410 and Ni-Cu	F6-HFS	410 (13Cr)	F6 (13Cr)	Monel 400 (NiCu Alloy)
7	410 and Full Hard	410	410 (13Cr)	F6 (13Cr)	F6 (13Cr) (750HB)
8	410 and Hard Faced	F6-HFS	410 (13Cr)	F6 (13Cr)	410+St Gr6 (CoCr Alloy)
8A	410 and Hard Faced	F6-HFS	410 (13Cr)	F6 (13Cr)	410+Hardf. NiCr Alloy
9	Monel	Monel	Monel (NiCu Alloy)	Monel (NiCu Alloy)	Monel 400 (NiCu Alloy)
10	316	316	316 (18Cr-Ni-Mo)	316 (18Cr-Ni-Mo)	316 (18Cr-8Ni-Mo)
11	Monel and Hard Faced	Monel-HFS	Monel (NiCu Alloy)	Monel (NiCu Alloy)	Monel 400 St Gr6
11A	Monel and Hard Faced	Monel-HFS	Monel (NiCu Alloy)	Monel (NiCu Alloy)	410 Hardf. NiCrA
12	316 and Hard Faced	316-HFS	316 (18Cr-Ni-Mo)	316 (18Cr-Ni-Mo)	316+St Gr6
12A	316 and Hard Faced	316-HFS	316 (18Cr-Ni-Mo)	316 (18Cr-Ni-Mo)	316 Hardf. NiCr Alloy
13	Alloy 20	Alloy 20	Alloy 20 (19Cr-29Ni)	Alloy 20 (19Cr-29Ni)	Alloy 20 (19Cr-29Ni)
14	Aloy 20 and Hard Faced	Alloy 20-HFS	Alloy 20 (19Cr-29Ni)	Alloy 20 (19Cr-29Ni)	Alloy 20 St Gr6
14A	Alloy 20 and Hard Faced	Alloy 20-HFS	Alloy 20 (19Cr-29Ni)	Alloy 20 (19Cr-29Ni)	Alloy 20 Hardf. NiCr Alloy
15	304 Full Hard Faced	304-HF	304 (18Cr-8Ni-Mo)	304+St Gr6	304+St Gr6
16	316 Full Hard Faced	316-HF	316 HF (18Cr-8Ni-Mo)	316+St Gr6	316+St Gr6

# GLOBE VALVE 600



## OPTIONS

- Bellow Seal
- Security lock installation
- Special paintings
- St or other materials trim covering
- Other tests on request



## DIMENSIONS (inches & mm)

DN Size (inches)	LRF - LBW (mm)	LRTJ (mm)	H (open) (mm)	Weight (kg)
2	292	295	475	38
2-1/2	330	333	515	52
3	356	359	585	66
4	432	435	675	110
6	559	562	885	236
8	660	664	945	402
10	787	790	1040	640
12	838	841	1280	850
14	889	892	1350	1007
16	991	994	1550	1290

## STANDARDS

- Design and manufacture: ANSI B16.34, API 600 and BS1873 Standard
- Face to face dimensions: ANSI B16.10
- Flange dimensions: ANSI B16.5, MSS SP-44 or API 605
- Butt welding ends: ANSI B16.25
- Test: API 598, API 6D

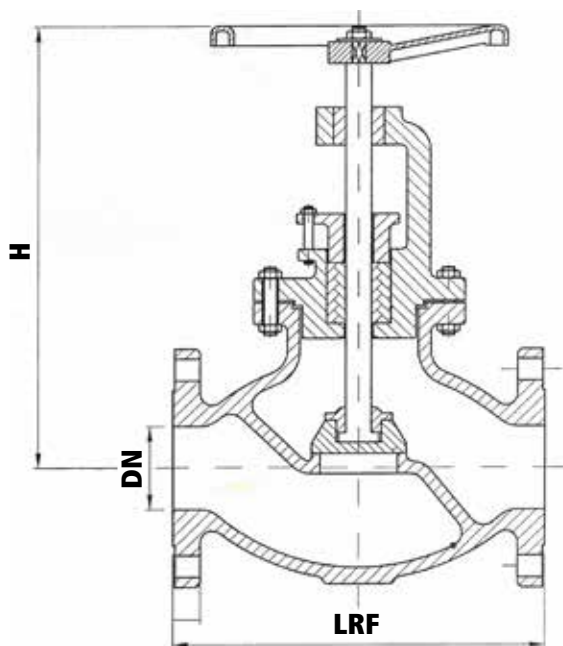
## FEATURES

- Bolted Bonnet
- Outside screw and yorke
- Rising stem
- Handweel or gear operator
- RF, RTJ and BW flanges

## TRIM CONFIGURATIONS

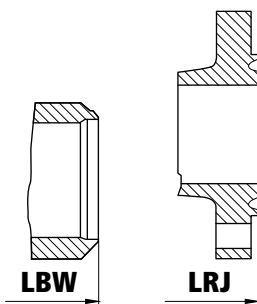
API TRIM No	Nonimal Trim	Trim code	Stem	Disc/Wedge	Seat
1	F6	F6	410 (13Cr)	F6 (13Cr)	410 (13Cr)
2	304	304	304 (18Cr-8Ni)	304 (18Cr-8Ni)	304 (18Cr-8Ni)
3	310	310	(25Cr-20Ni)	310 (25Cr-20Ni)	310 (25Cr-20Ni)
4	Hard 410	F6-H	410 (13Cr)	F6 (13Cr)	F6 (13Cr)
5	410 Full Hard faced	F6-HF	410 (13Cr)	F6+St Gr6 (CoCr Alloy)	410+St Gr6 (CoCr Alloy)
5A	410 Full hard Faced	F6-HF	410 (13Cr)	F6+Hardf. NiCr Alloy	410+Hardf. NiCr Alloy
6	410 and Ni-Cu	F6-HFS	410 (13Cr)	F6 (13Cr)	Monel 400 (NiCu Alloy)
7	410 and Full Hard	410	410 (13Cr)	F6 (13Cr)	F6 (13Cr) (750HB)
8	410 and Hard Faced	F6-HFS	410 (13Cr)	F6 (13Cr)	410+St Gr6 (CoCr Alloy)
8A	410 and Hard Faced	F6-HFS	410 (13Cr)	F6 (13Cr)	410+Hardf. NiCr Alloy
9	Monel	Monel	Monel (NiCu Alloy)	Monel (NiCu Alloy)	Monel 400 (NiCu Alloy)
10	316	316	316 (18Cr-Ni-Mo)	316 (18Cr-Ni-Mo)	316 (18Cr-8Ni-Mo)
11	Monel and Hard Faced	Monel-HFS	Monel (NiCu Alloy)	Monel (NiCu Alloy)	Monel 400 St Gr6
11A	Monel and Hard Faced	Monel-HFS	Monel (NiCu Alloy)	Monel (NiCu Alloy)	410 Hardf. NiCrA
12	316 and Hard Faced	316-HFS	316 (18Cr-Ni-Mo)	316 (18Cr-Ni-Mo)	316+St Gr6
12A	316 and Hard Faced	316-HFS	316 (18Cr-Ni-Mo)	316 (18Cr-Ni-Mo)	316 Hardf. NiCr Alloy
13	Alloy 20	Alloy 20	Alloy 20 (19Cr-29Ni)	Alloy 20 (19Cr-29Ni)	Alloy 20 (19Cr-29Ni)
14	Aloy 20 and Hard Faced	Alloy 20-HFS	Alloy 20 (19Cr-29Ni)	Alloy 20 (19Cr-29Ni)	Alloy 20 St Gr6
14A	Alloy 20 and Hard Faced	Alloy 20-HFS	Alloy 20 (19Cr-29Ni)	Alloy 20 (19Cr-29Ni)	Alloy 20 Hardf. NiCr Alloy
15	304 Full Hard Faced	304-HF	304 (18Cr-8Ni-Mo)	304+St Gr6	304+St Gr6
16	316 Full Hard Faced	316-HF	316 HF (18Cr-8Ni-Mo)	316+St Gr6	316+St Gr6

# GLOBE VALVE 900



## OPTIONS

- Bellow Seal
- Security lock installation
- Special paintings
- St or other materials trim covering
- Other tests on request



## DIMENSIONS (inches & mm)

DN Size (inches)	LRF - LBW (mm)	LRTJ (mm)	H (open) (mm)	Weight (kg)
2	368	371	600	84
2-1/2	419	422	660	121
3	381	384	665	132
4	457	460	800	175
6	610	613	1015	407
8	737	740	1145	675
10	838	841	1360	1040
12	965	968	1610	1520
14	1029	1038	1650	1880
16	1130	1140	1800	2500

## STANDARDS

- Design and manufacture: ANSI B16.34, API 600 and BS1873 Standard
- Face to face dimensions: ANSI B16.10
- Flange dimensions: ANSI B16.5, MSS SP-44 or API 605
- Butt welding ends: ANSI B16.25
- Test: API 598, API 6D

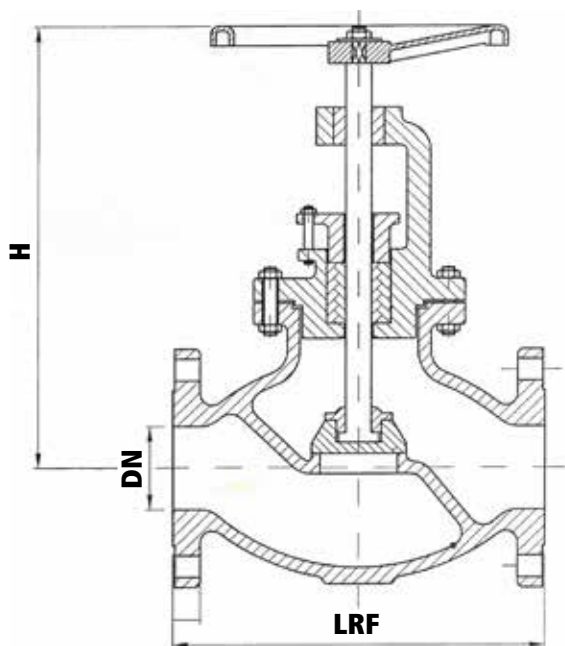
## FEATURES

- Bolted Bonnet
- Outside screw and yorke
- Rising stem
- Handweel or gear operator
- RF, RTJ and BW flanges

## TRIM CONFIGURATIONS

API TRIM No	Nonimal Trim	Trim code	Stem	Disc/Wedge	Seat
1	F6	F6	410 (13Cr)	F6 (13Cr)	410 (13Cr)
2	304	304	304 (18Cr-8Ni)	304 (18Cr-8Ni)	304 (18Cr-8Ni)
3	310	310	(25Cr-20Ni)	310 (25Cr-20Ni)	310 (25Cr-20Ni)
4	Hard 410	F6-H	410 (13Cr)	F6 (13Cr)	F6 (13Cr)
5	410 Full Hard faced	F6-HF	410 (13Cr)	F6+St Gr6 (CoCr Alloy)	410+St Gr6 (CoCr Alloy)
5A	410 Full hard Faced	F6-HF	410 (13Cr)	F6+Hardf. NiCr Alloy	410+Hardf. NiCr Alloy
6	410 and Ni-Cu	F6-HFS	410 (13Cr)	F6 (13Cr)	Monel 400 (NiCu Alloy)
7	410 and Full Hard	410	410 (13Cr)	F6 (13Cr)	F6 (13Cr) (750HB)
8	410 and Hard Faced	F6-HFS	410 (13Cr)	F6 (13Cr)	410+St Gr6 (CoCr Alloy)
8A	410 and Hard Faced	F6-HFS	410 (13Cr)	F6 (13Cr)	410+Hardf. NiCr Alloy
9	Monel	Monel	Monel (NiCu Alloy)	Monel (NiCu Alloy)	Monel 400 (NiCu Alloy)
10	316	316	316 (18Cr-Ni-Mo)	316 (18Cr-Ni-Mo)	316 (18Cr-8Ni-Mo)
11	Monel and Hard Faced	Monel-HFS	Monel (NiCu Alloy)	Monel (NiCu Alloy)	Monel 400 St Gr6
11A	Monel and Hard Faced	Monel-HFS	Monel (NiCu Alloy)	Monel (NiCu Alloy)	410 Hardf. NiCrA
12	316 and Hard Faced	316-HFS	316 (18Cr-Ni-Mo)	316 (18Cr-Ni-Mo)	316+St Gr6
12A	316 and Hard Faced	316-HFS	316 (18Cr-Ni-Mo)	316 (18Cr-Ni-Mo)	316 Hardf. NiCr Alloy
13	Alloy 20	Alloy 20	Alloy 20 (19Cr-29Ni)	Alloy 20 (19Cr-29Ni)	Alloy 20 (19Cr-29Ni)
14	Aloy 20 and Hard Faced	Alloy 20-HFS	Alloy 20 (19Cr-29Ni)	Alloy 20 (19Cr-29Ni)	Alloy 20 St Gr6
14A	Alloy 20 and Hard Faced	Alloy 20-HFS	Alloy 20 (19Cr-29Ni)	Alloy 20 (19Cr-29Ni)	Alloy 20 Hardf. NiCr Alloy
15	304 Full Hard Faced	304-HF	304 (18Cr-8Ni-Mo)	304+St Gr6	304+St Gr6
16	316 Full Hard Faced	316-HF	316 HF (18Cr-8Ni-Mo)	316+St Gr6	316+St Gr6

COD. GLVA1500 // STANDARD ANSI  
**GLOBE VALVE 1500**

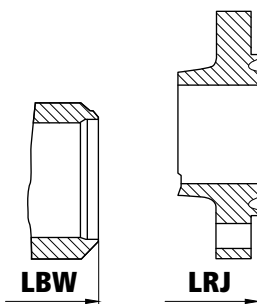


**OPTIONS**

- Bellow Seal
- Security lock installation
- Special paintings
- St or other materials trim covering
- Other tests on request

**DIMENSIONS** (inches & mm)

DN Size (inches)	LRF - LBW (mm)	LRTJ (mm)	H (open) (mm)	Weight (kg)
2	368	371	660	84
2-1/2	419	422	660	121
3	470	473	770	137
4	546	549	850	407
6	705	711	1145	495
8	832	841	1345	880
10	991	1000	1510	1420
12	1130	1146	1870	2100
14	1257	1276	1950	2550
16	1384	1407	2200	3410



**STANDARDS**

- Design and manufacture: ANSI B16.34, API 600 and BS1873 Standard
- Face to face dimensions: ANSI B16.10
- Flange dimensions: ANSI B16.5, MSS SP-44 or API 605
- Butt welding ends: ANSI B16.25
- Test: API 598, API 6D

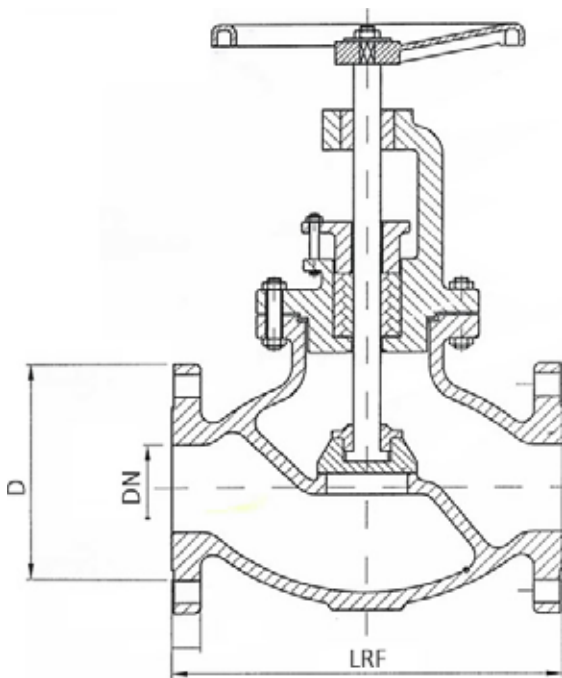
**FEATURES**

- Bolted Bonnet
- Outside screw and yorke
- Rising stem
- Handweel or gear operator
- RF, RTJ and BW flanges

**TRIM CONFIGURATIONS**

API TRIM No	Nonimal Trim	Trim code	Stem	Disc/Wedge	Seat
1	F6	F6	410 (13Cr)	F6 (13Cr)	410 (13Cr)
2	304	304	304 (18Cr-8Ni)	304 (18Cr-8Ni)	304 (18Cr-8Ni)
3	310	310	(25Cr-20Ni)	310 (25Cr-20Ni)	310 (25Cr-20Ni)
4	Hard 410	F6-H	410 (13Cr)	F6 (13Cr)	F6 (13Cr)
5	410 Full Hard faced	F6-HF	410 (13Cr)	F6+St Gr6 (CoCr Alloy)	410+St Gr6 (CoCr Alloy)
5A	410 Full hard Faced	F6-HF	410 (13Cr)	F6+Hardf. NiCr Alloy	410+Hardf. NiCr Alloy
6	410 and Ni-Cu	F6-HFS	410 (13Cr)	F6 (13Cr)	Monel 400 (NiCu Alloy)
7	410 and Full Hard	410	410 (13Cr)	F6 (13Cr)	F6 (13Cr) (750HB)
8	410 and Hard Faced	F6-HFS	410 (13Cr)	F6 (13Cr)	410+St Gr6 (CoCr Alloy)
8A	410 and Hard Faced	F6-HFS	410 (13Cr)	F6 (13Cr)	410+Hardf. NiCr Alloy
9	Monel	Monel	Monel (NiCu Alloy)	Monel (NiCu Alloy)	Monel 400 (NiCu Alloy)
10	316	316	316 (18Cr-Ni-Mo)	316 (18Cr-Ni-Mo)	316 (18Cr-8Ni-Mo)
11	Monel and Hard Faced	Monel-HFS	Monel (NiCu Alloy)	Monel (NiCu Alloy)	Monel 400 St Gr6
11A	Monel and Hard Faced	Monel-HFS	Monel (NiCu Alloy)	Monel (NiCu Alloy)	410 Hardf. NiCrA
12	316 and Hard Faced	316-HFS	316 (18Cr-Ni-Mo)	316 (18Cr-Ni-Mo)	316+St Gr6
12A	316 and Hard Faced	316-HFS	316 (18Cr-Ni-Mo)	316 (18Cr-Ni-Mo)	316 Hardf. NiCr Alloy
13	Alloy 20	Alloy 20	Alloy 20 (19Cr-29Ni)	Alloy 20 (19Cr-29Ni)	Alloy 20 (19Cr-29Ni)
14	Aloy 20 and Hard Faced	Alloy 20-HFS	Alloy 20 (19Cr-29Ni)	Alloy 20 (19Cr-29Ni)	Alloy 20 St Gr6
14A	Alloy 20 and Hard Faced	Alloy 20-HFS	Alloy 20 (19Cr-29Ni)	Alloy 20 (19Cr-29Ni)	Alloy 20 Hardf. NiCr Alloy
15	304 Full Hard Faced	304-HF	304 (18Cr-8Ni-Mo)	304+St Gr6	304+St Gr6
16	316 Full Hard Faced	316-HF	316 HF (18Cr-8Ni-Mo)	316+St Gr6	316+St Gr6

# GLOBE VALVE PN16



## OPTIONS

- Bellow Seal
- Security lock installation
- Special paintings
- St or other materials trim covering
- Other tests on request

## DIMENSIONS

DN (mm)	D (mm)	LRF (mm)	Weight (kg)
15	95	130	5
20	105	150	6
25	115	160	8
32	140	180	10
40	150	200	12
50	165	230	17
65	185	290	23
80	200	310	27
100	220	350	44
125	250	400	68
150	285	480	101
200	340	600	175
250	405	730	276

## STANDARDS

- Sides distance according to DIN 3202
- Design: EN 1074
- Flanges according to UNI EN 1092-1 PN 16

## FEATURES

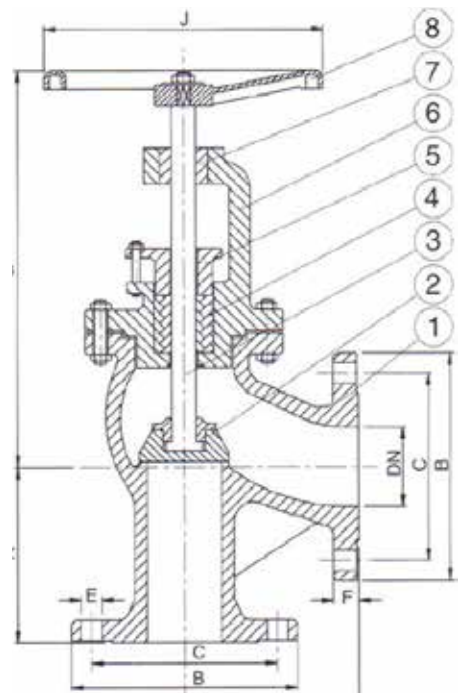
- Bolted Bonnet
- Outside screw and yorke
- Rising stem
- Handweel or gear operator
- RF, RTJ and BW flanges

## TRIM CONFIGURATIONS

API TRIM No	Nonimal Trim	Trim code	Stem	Disc/Wedge	Seat
1	F6	F6	410 (13Cr)	F6 (13Cr)	410 (13Cr)
2	304	304	304 (18Cr-8Ni)	304 (18Cr-8Ni)	304 (18Cr-8Ni)
3	310	310	(25Cr-20Ni)	310 (25Cr-20Ni)	310 (25Cr-20Ni)
4	Hard 410	F6-H	410 (13Cr)	F6 (13Cr)	F6 (13Cr)
5	410 Full Hard faced	F6-HF	410 (13Cr)	F6+St Gr6 (CoCr Alloy)	410+St Gr6 (CoCr Alloy)
5A	410 Full hard Faced	F6-HF	410 (13Cr)	F6+Hardf. NiCr Alloy	410+Hardf. NiCr Alloy
6	410 and Ni-Cu	F6-HFS	410 (13Cr)	F6 (13Cr)	Monel 400 (NiCu Alloy)
7	410 and Full Hard	410	410 (13Cr)	F6 (13Cr)	F6 (13Cr) (750HB)
8	410 and Hard Faced	F6-HFS	410 (13Cr)	F6 (13Cr)	410+St Gr6 (CoCr Alloy)
8A	410 and Hard Faced	F6-HFS	410 (13Cr)	F6 (13Cr)	410+Hardf. NiCr Alloy
9	Monel	Monel	Monel (NiCu Alloy)	Monel (NiCu Alloy)	Monel 400 (NiCu Alloy)
10	316	316	316 (18Cr-Ni-Mo)	316 (18Cr-Ni-Mo)	316 (18Cr-8Ni-Mo)
11	Monel and Hard Faced	Monel-HFS	Monel (NiCu Alloy)	Monel (NiCu Alloy)	Monel 400 St Gr6
11A	Monel and Hard Faced	Monel-HFS	Monel (NiCu Alloy)	Monel (NiCu Alloy)	410 Hardf. NiCrA
12	316 and Hard Faced	316-HFS	316 (18Cr-Ni-Mo)	316 (18Cr-Ni-Mo)	316+St Gr6
12A	316 and Hard Faced	316-HFS	316 (18Cr-Ni-Mo)	316 (18Cr-Ni-Mo)	316 Hardf. NiCr Alloy
13	Alloy 20	Alloy 20	Alloy 20 (19Cr-29Ni)	Alloy 20 (19Cr-29Ni)	Alloy 20 (19Cr-29Ni)
14	Aloy 20 and Hard Faced	Alloy 20-HFS	Alloy 20 (19Cr-29Ni)	Alloy 20 (19Cr-29Ni)	Alloy 20 St Gr6
14A	Alloy 20 and Hard Faced	Alloy 20-HFS	Alloy 20 (19Cr-29Ni)	Alloy 20 (19Cr-29Ni)	Alloy 20 Hardf. NiCr Alloy
15	304 Full Hard Faced	304-HF	304 (18Cr-8Ni-Mo)	304+St Gr6	304+St Gr6
16	316 Full Hard Faced	316-HF	316 HF (18Cr-8Ni-Mo)	316+St Gr6	316+St Gr6

COD. GLVD16A // STANDARD DIN

# ANGLE SEAL PATTERN GLOBE VALVE PN16



N°	PART	MATERIAL
1	corpo/body	INOX CF8M
2	otturatore/disc	INOX CF8M
3	stelo /stem	INOX 316
4	baderna/glandpacking	Graphite-PTFE
5	premistoppa/gland	INOX CF8M
6	coperchio/bonnet	INOX CF8M
7	dado/nut	BRONZE
8	volantino/handwheel	CAST IRON 6625

## FEATURES

- others materials/dimensions on request

## DIMENSIONS

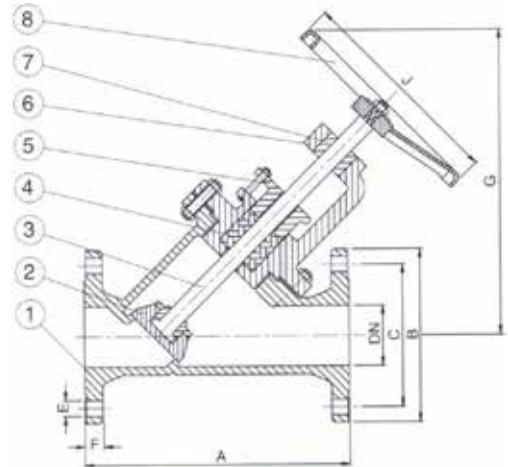
DN	15	20	25	32	40	50	65	80	100
A	65	75	80	90	100	115	145	155	175
B	95	105	115	140	150	165	185	200	220
C	65	75	85	100	110	125	145	160	180
F	14	16	16	16	18	18	18	20	20
E	14	14	14	18	18	18	18	18	18
N*	4	4	4	4	4	4	4	8	8
G	203	215	227	238	251	267	318	346	397
J	125	125	125	150	160	160	200	200	250
Peso (Kg)	4,5	5,5	7	9	12	16	22,1	27,2	44

\* N° di fori/ N° of holes



COD. GLVD1640Y // STANDARD DIN

# GLOBE VALVE "Y PATTERN" PN16/40



N°	PART	MATERIAL
1	corpo/body	INOX CF8M
2	otturatore/disc	INOX CF8M
3	stelo /stem	INOX 316
4	baderna/glandpacking	Graphite-PTFE
5	premistoppa/gland	INOX CF8M
6	coperchio/bonnet	INOX CF8M
7	dado/nut	INOX 316
8	volantino/handwhell	AL IRON GG25

## FEATURES

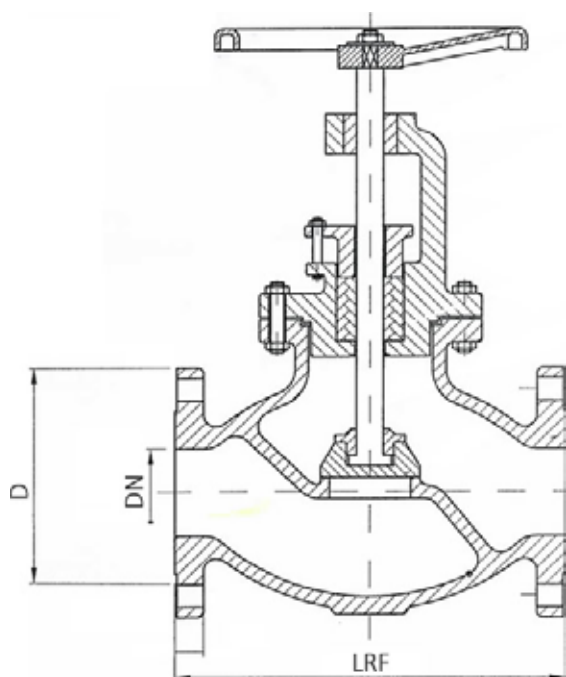
- bolted yoke bonnet
- stainless steel or PTFE sealings
- drilled and dimensioned flanged, according to DIN PN-16 or PN-40
- sides distance according to DIN 3202 F-1
- others materials/dimensions on request

## DIMENSIONS

DN	15	20	25	32	40	50	65	80	100	125	150	200	250	300	350
A	130	150	160	180	200	230	290	310	350	400	480	600	730	850	980
B	95	105	115	140	150	165	185	200	220	250	285	340	405	445	505
C	65	75	85	100	110	125	145	160	180	210	240	295	350	400	460
F	14	16	16	16	18	18	18	20	20	22	22	24	26	26	26
E	14	14	14	18	18	18	18	18	18	18	23	23	23	23	23
N*	4	4	4	4	4	4	4	8	8	8	8	8/12	8/12	12	16
G	180	180	199	226	253	272	320	339	402	483	543	664	750	(1)	(1)
J	125	125	125	150	160	160	200	200	250	320	380	450	500	(1)	(1)
Peso (Kg)	4,5	5,5	7	9	11	14	22	24	37	68	85	148	208	290	

\* N° di fori/ N° of holes

# GLOBE VALVE PN40

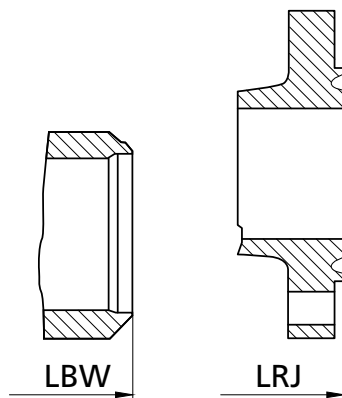


## OPTIONS

- Bellow Seal
- Security lock installation
- Special paintings
- St or other materials trim covering
- Other tests on request

## DIMENSIONS

DN (mm)	D (mm)	LRF (mm)	Weight (kg)
15	95	130	5
20	105	150	6
25	115	160	8
32	140	180	10
40	150	200	12
50	165	230	17
65	185	290	27
80	200	310	35
100	235	350	57
125	270	400	72
150	300	480	108
200	375	600	190



## STANDARDS

- Sides distance according to DIN 3202
- Design: EN 1074
- Flanges according to UNI EN 1092-1 PN 40

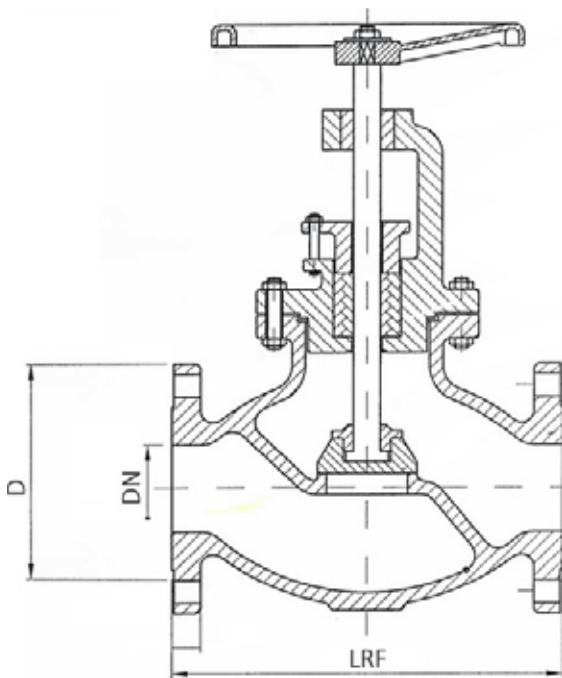
## FEATURES

- Bolted Bonnet
- Outside screw and yorke
- Rising stem
- Handweel or gear operator
- RF, RTJ and BW flanges

## TRIM CONFIGURATIONS

API TRIM No	Nonimal Trim	Trim code	Stem	Disc/Wedge	Seat
1	F6	F6	410 (13Cr)	F6 (13Cr)	410 (13Cr)
2	304	304	304 (18Cr-8Ni)	304 (18Cr-8Ni)	304 (18Cr-8Ni)
3	310	310	(25Cr-20Ni)	310 (25Cr-20Ni)	310 (25Cr-20Ni)
4	Hard 410	F6-H	410 (13Cr)	F6 (13Cr)	F6 (13Cr)
5	410 Full Hard faced	F6-HF	410 (13Cr)	F6+St Gr6 (CoCr Alloy)	410+St Gr6 (CoCr Alloy)
5A	410 Full hard Faced	F6-HF	410 (13Cr)	F6+Hardf. NiCr Alloy	410+Hardf. NiCr Alloy
6	410 and Ni-Cu	F6-HFS	410 (13Cr)	F6 (13Cr)	Monel 400 (NiCu Alloy)
7	410 and Full Hard	410	410 (13Cr)	F6 (13Cr)	F6 (13Cr) (750HB)
8	410 and Hard Faced	F6-HFS	410 (13Cr)	F6 (13Cr)	410+St Gr6 (CoCr Alloy)
8A	410 and Hard Faced	F6-HFS	410 (13Cr)	F6 (13Cr)	410+Hardf. NiCr Alloy
9	Monel	Monel	Monel (NiCu Alloy)	Monel (NiCu Alloy)	Monel 400 (NiCu Alloy)
10	316	316	316 (18Cr-Ni-Mo)	316 (18Cr-Ni-Mo)	316 (18Cr-8Ni-Mo)
11	Monel and Hard Faced	Monel-HFS	Monel (NiCu Alloy)	Monel (NiCu Alloy)	Monel 400 St Gr6
11A	Monel and Hard Faced	Monel-HFS	Monel (NiCu Alloy)	Monel (NiCu Alloy)	410 Hardf. NiCrA
12	316 and Hard Faced	316-HFS	316 (18Cr-Ni-Mo)	316 (18Cr-Ni-Mo)	316+St Gr6
12A	316 and Hard Faced	316-HFS	316 (18Cr-Ni-Mo)	316 (18Cr-Ni-Mo)	316 Hardf. NiCr Alloy
13	Alloy 20	Alloy 20	Alloy 20 (19Cr-29Ni)	Alloy 20 (19Cr-29Ni)	Alloy 20 (19Cr-29Ni)
14	Aloy 20 and Hard Faced	Alloy 20-HFS	Alloy 20 (19Cr-29Ni)	Alloy 20 (19Cr-29Ni)	Alloy 20 St Gr6
14A	Alloy 20 and Hard Faced	Alloy 20-HFS	Alloy 20 (19Cr-29Ni)	Alloy 20 (19Cr-29Ni)	Alloy 20 Hardf. NiCr Alloy
15	304 Full Hard Faced	304-HF	304 (18Cr-8Ni-Mo)	304+St Gr6	304+St Gr6
16	316 Full Hard Faced	316-HF	316 HF (18Cr-8Ni-Mo)	316+St Gr6	316+St Gr6

# GLOBE VALVE PN63

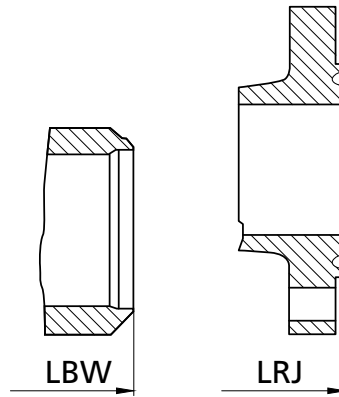


## OPTIONS

- Bellow Seal
- Security lock installation
- Special paintings
- St or other materials trim covering
- Other tests on request

## DIMENSIONS

DN (mm)	D (mm)	LRF (mm)	Weight (kg)
15	105	210	12
20	130	220	16
25	140	230	18
32	155	250	22
40	170	260	27
50	180	300	34
65	205	340	47
80	215	380	62
100	250	430	88
125	295	500	133
150	345	550	192
200	415	650	324



## STANDARDS

- Sides distance according to DIN 3202
- Design: EN 1074
- Flanges according to UNI EN 1092-1 PN 63

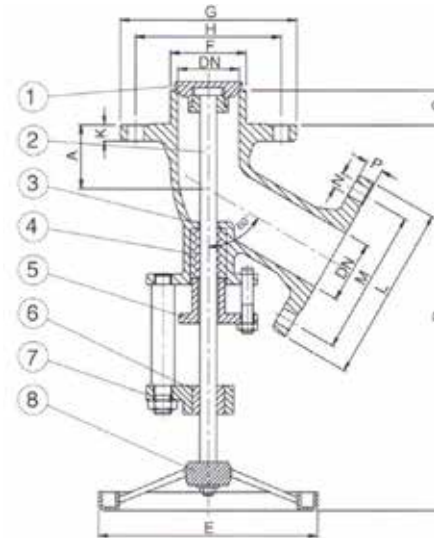
## FEATURES

- Bolted Bonnet
- Outside screw and yorke
- Rising stem
- Handweel or gear operator
- RF, RTJ and BW flanges

## TRIM CONFIGURATIONS

API TRIM No	Nonimal Trim	Trim code	Stem	Disc/Wedge	Seat
1	F6	F6	410 (13Cr)	F6 (13Cr)	410 (13Cr)
2	304	304	304 (18Cr-8Ni)	304 (18Cr-8Ni)	304 (18Cr-8Ni)
3	310	310	(25Cr-20Ni)	310 (25Cr-20Ni)	310 (25Cr-20Ni)
4	Hard 410	F6-H	410 (13Cr)	F6 (13Cr)	F6 (13Cr)
5	410 Full Hard faced	F6-HF	410 (13Cr)	F6+St Gr6 (CoCr Alloy)	410+St Gr6 (CoCr Alloy)
5A	410 Full hard Faced	F6-HF	410 (13Cr)	F6+Hardf. NiCr Alloy	410+Hardf. NiCr Alloy
6	410 and Ni-Cu	F6-HFS	410 (13Cr)	F6 (13Cr)	Monel 400 (NiCu Alloy)
7	410 and Full Hard	410	410 (13Cr)	F6 (13Cr)	F6 (13Cr) (750HB)
8	410 and Hard Faced	F6-HFS	410 (13Cr)	F6 (13Cr)	410+St Gr6 (CoCr Alloy)
8A	410 and Hard Faced	F6-HFS	410 (13Cr)	F6 (13Cr)	410+Hardf. NiCr Alloy
9	Monel	Monel	Monel (NiCu Alloy)	Monel (NiCu Alloy)	Monel 400 (NiCu Alloy)
10	316	316	316 (18Cr-Ni-Mo)	316 (18Cr-Ni-Mo)	316 (18Cr-8Ni-Mo)
11	Monel and Hard Faced	Monel-HFS	Monel (NiCu Alloy)	Monel (NiCu Alloy)	Monel 400 St Gr6
11A	Monel and Hard Faced	Monel-HFS	Monel (NiCu Alloy)	Monel (NiCu Alloy)	410 Hardf. NiCrA
12	316 and Hard Faced	316-HFS	316 (18Cr-Ni-Mo)	316 (18Cr-Ni-Mo)	316+St Gr6
12A	316 and Hard Faced	316-HFS	316 (18Cr-Ni-Mo)	316 (18Cr-Ni-Mo)	316 Hardf. NiCr Alloy
13	Alloy 20	Alloy 20	Alloy 20 (19Cr-29Ni)	Alloy 20 (19Cr-29Ni)	Alloy 20 (19Cr-29Ni)
14	Aloy 20 and Hard Faced	Alloy 20-HFS	Alloy 20 (19Cr-29Ni)	Alloy 20 (19Cr-29Ni)	Alloy 20 St Gr6
14A	Alloy 20 and Hard Faced	Alloy 20-HFS	Alloy 20 (19Cr-29Ni)	Alloy 20 (19Cr-29Ni)	Alloy 20 Hardf. NiCr Alloy
15	304 Full Hard Faced	304-HF	304 (18Cr-8Ni-Mo)	304+St Gr6	304+St Gr6
16	316 Full Hard Faced	316-HF	316 HF (18Cr-8Ni-Mo)	316+St Gr6	316+St Gr6

# BOTTOM DRAIN VALVE PN10/16



N°	PART	MATERIAL
1	corpo/body	INOX CF8M
2	otturatore/disc	INOX CF8M
3	stelo /stem	INOX 316
4	baderna/glandpacking	Graphite-PTFE
5	premistoppa/gland	INOX CF8M
6	dado/nut	BRONZE
7	ponte/yoke	INOX CF8M
8	volantino/handwhell	IRON 6625

## FEATURES

- this model can be made with manual action by handweel or by double or simple effect pneumatic action
- others materials/dimensions on request
- by request, it can be made also with with ebonite coating, for the transport of hydrochloric acid

## DIMENSIONS

DN	A	B	C	D	E	F	G	H	I	J	K	L	M	N	O*	P	Kg
25	35	100	40	200	120	49	150	110	18	4	15	115	85	15	4	14	6
32	40	100	45	200	120	52	165	125	18	4	17	140	100	18	4	15	7
40	40	120	45	220	160	55	165	125	18	4	17	150	110	18	4	15	8
50	50	140	50	260	160	70	185	145	18	4	17	165	125	18	4	17	11
65	55	140	50	320	200	89	200	160	18	4	18	185	145	18	4	17	15
80	60	150	55	375	200	100	220	180	18	8	18	200	160	18	4	18	21
100	60	180	55	400	250	124	250	210	18	8	20	220	180	18	8	18	26
125	80	190	60	450	250	149	285	240	22	8	20	250	210	18	8	20	38
150	95	200	60	500	320	174	315	270	22	8	22	285	240	22	8	20	59

\* N° di fori/ N° of holes

# GLOBE VALVE MATERIALS

Material Group	Common name	Material Type	Forging Spec	UNS	Casting Spec. Equivalent	DIN	DIN W. No	Application	
Carbon Steel	<b>CS</b>	C-Mn-Fe	A105N	K03504	A216-WCB	C22.8 DIN 17243	1.0460	General non-corrosive service from -29°C to 427°C	
Low temperature Carbon Steel	<b>LTCS</b>	C-Mn-Fe	A350-LF2	K03011	A352-LC1	TSTE 355 DIN 18103	1.0566	General non-corrosive service from -46°C to 340°C, LF2 to 427°C	
					A352-LCB				
					A352-LCC				
Low temperature alloy steel	<b>Nickel Steel</b>	3.1/2Ni	A350-LF	K32025	A352-LC3	10Ni14	1.5637	-101°) to 340°C	
Low Alloy Steel	<b>Moly Steel</b>	C-1/2Mo	A182-F1	K12822	A217-WC1	15Mo3	1.5415	Up to 468°C	
	<b>Alloy Steel Chrome Moly</b>	1.1/4Cr-1/2Mo	A182-F11 cI2	K11572	A217-WC6	13CrMo44	1.7335	Up to 593°C	
		2.1/4Cr-1Mo	A182-F22 cI3	K21590	A217-WC9	10CrMo910	1.7380	Up to 593°C, HP steam	
		5Cr-1/2Mo	A182-F5a	K41545	A217-C5	12CrMo195	1.7362	High temp. refinery service	
		9Cr-1Mo	A182-F9	K90941	A217-C12	X 12 CrMo 9 1	1.7386	High temp. erosive refinery service	
		9Cr-1Mo-V	A182-F91		A217-C12A	X 10 CrMoVNb 9 1	1.4903	High pressure steam	
Stainless Steel	<b>Austenitic S.Steel 300 series S. Steel</b>	304 : 18Cr-8N	A182-F304	S30400	A351-CF8	DIN X5CrNi 18 9	1.4301	0.04% min. carbon for temp. >538°C	
		304L : 18Cr-8Ni	A182-F304L	S30403	A351-CF3	X 2 CrNi 19 11	1.4306	Up to 427°C	
		304H	A182-F304H	S30409	A351-CF10	n/a	n/a		
		316 : 16Cr-12Ni-2Mo	A182-F316	S31600	A351-CF8M	DIN X5CrNiMo 18 10	1.4401	0.04% min. carbon for temp. >538°C	
		316L : 16Cr-12Ni-2Mo	A182-F316L	S31603	A351-CF3M	X 5 CrNiMo 17 12 2	1.4404	Up to 427°C	
		316H :	A182-F316H	S31609	A351-CF10M	n/a	n/a		
		316Ti :	A182-F316 Ti	S31635		X 6 CrNiMoTi 17 12 2 1.4571	1.4571	Special grade	
		321 : 18Cr-10Ni-Ti	A182-F321	S32100		X 6 CrNiTi 18 10	1.4541	0.04%min. carbon (grade F321H) and heat treat at 1100°C for service temps. >538°C	
		321H	A182-F321H	S32109		n/a	n/a		
		347 : 18Cr-10Ni-Cb(Nb)	A182-F347	S34700	A351-CF8C	DIN 8556	1.4550	0.04%min. carbon (grade F347H) and heat treat at 1100°C for service temps. >538°C	
	347H	A182-F347H	S34709		n/a	n/a			
		317L	A182-F317L	S31703	A351-CG3M*	X2CrNi-Mo18-16-4	1.4438		
		<b>Alloy 20</b>	28Ni-19Cr-Cu-Mo	A182-F20*	N08020	A351-CN7M†	DIN 1.4500	2.4660	Service to 316°C*
		<b>Duplex 2205</b>	22Cr-5Ni-3Mo-N	A182-F51	S31803	A351-CD3MN	X2CrNi-MoN22-5-3	1.4462	Service to 316°C – The original S31803 UNS designation has been supplemented by S32205 which has higher minimum N,CR, and Mo
					S32205	A890-J92205	DIN 10088-1 (95)		
		<b>Super Duplex 2507</b>	25Cr-7Ni-4Mo-N	A182-F53	S32750	A351-CD4MCu*	X2CrNi-MoN27-7-4	1.4501	Service to 316°C
						A890 5A*	DIN 10088-1 (95)		
		<b>Super Duplex F55</b>	25Cr-7Ni-3.5Mo-N-Cu-W	A182-F55	S32760	A995-CD3MW-CuN			Service to 316°C
		<b>Super Austenitic 6Mo</b>	20Cr-18Ni-6Mo	A182-F44	S31254	A351-CK3MCuN	X1CrNiMoC-uN20-18-7	1.4547	Service to 316°C
							DIN 10088-1 (95)		
Nickel-Iron Alloy	<b>Incoloy 800</b>	33Ni-42Fe-21Cr	B564-N08800	N08800		X10NiCrAl-Ti32-20	1.4876	Service to 538°C	
	<b>Incoloy 825</b>	42Ni-21.5Cr-3Mo-2.3Cu	B564-N08825	N08825	A494-CU5M-CuC*	DIN 17744	2.4858	Service to 316°C for N02200, 648°C for N02201	
Nickel	<b>Nickel Steel</b>	99/95Ni	B160-N02200 (bar)	N02200	A494-CZ-100*	NW2200	1.7740		
Nickel-Copper	<b>Monel 400</b>	67Ni-30Cu	B564-N04400	N04400	A494-M35-1	DIN 17730	2.4360		
	<b>Monel 500</b>		B564-N05500*	N05500			2.4375		
Nickel-Alloy	<b>904L</b>		904L*	N08904	n/a	Z2 NCDU 25-20	1.4539		
Nickel Super-alloys	<b>Inconel 600</b>	72Ni-15Cr-8Fe	B564-N06600	N06600	A494-CY40*	DIN 17742	2.4816		
	<b>Inconel 625</b>	60Ni-22Cr-9Mo-3.5Cb	B564-N06625	N06625	A494-CW-6MC*		2.4856		
	<b>Hastelloy C-276</b>	54Ni-15Cr-16Mo	B564-N10276	N10276	A494-CW-2M*	NiMo 16 Cr 15 W	2.4819		
Titanium	<b>Titanium</b>	98Ti	B381-Gr2	R50400	B367-C2*	Ti 2	3.7035	Special grade	

# COREING

Coreing nasce dalla capacità ed estro imprenditoriale dell'Ing. Marcello Salvadori, oggi affiancato dal figlio Andrea, due lauree in ingegneria elettronica e automazione. L'azienda si occupa di forniture industriali e di soluzioni ingegneristiche nel campo dell'impiantistica e dell'automazione.

Nell'assistenza clienti, ci serviamo di figure professionali specializzate nei vari campi di interesse e operanti in sinergia. In tal modo Coreing si propone di offrire le migliori competenze e soluzioni.

Oggi, grazie alla trentennale esperienza maturata sul campo e a un costante impegno nella selezione dei prodotti che meglio si adattano alle richieste dei clienti, siamo in grado di fornire una vasta gamma di articoli a prezzi competitivi, ottenuti grazie alle partnership con le aziende produttrici.

Coreing company works in the field of technical items sale for industrial supplies: a wide range of products as Gate Valves, Globe valves, Check valves, Ball valves, Butterfly valves, Forged valves, Water valves, Flanges and Tubes.

The company on the strength of its thirty-year experience in this field and with the help of a highly qualified personnel, is able to give to its customers solutions at competitive prices and consultancy services suitable for every needs, from materials research to their installation.

Products offered by Coreing appeal to companies in waterworks, plant engineering and automation sector all over the world.

## COREING

Florence: Via del Sansovino 183A, 50142  
Firenze (FI)

Follonica: Via Buonarroti 67, Follonica (GR)

Phone: +39 055 0468948

P.IVA IT06597830485

[www.coreing.com](http://www.coreing.com) // [info@coreing.com](mailto:info@coreing.com)

