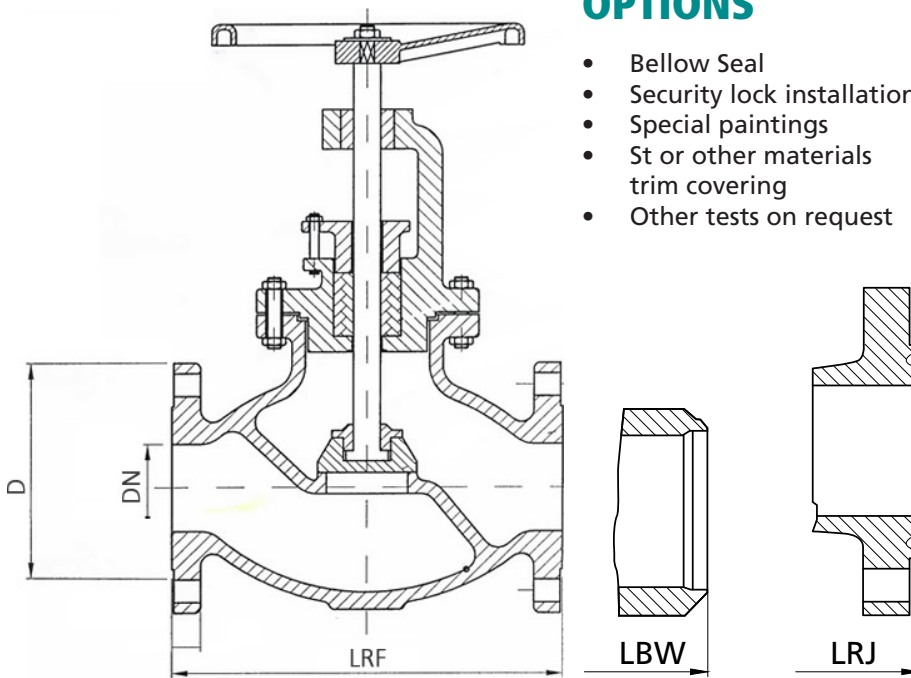


# GLOBE VALVE PN63



## OPTIONS

- Bellow Seal
- Security lock installation
- Special paintings
- St or other materials trim covering
- Other tests on request

## DIMENSIONS

DN (mm)	D (mm)	LRF (mm)	Weight (kg)
15	105	210	12
20	130	220	16
25	140	230	18
32	155	250	22
40	170	260	27
50	180	300	34
65	205	340	47
80	215	380	62
100	250	430	88
125	295	500	133
150	345	550	192
200	415	650	324

## STANDARDS

- Sides distance according to DIN 3202
- Design: EN 1074
- Flanges according to UNI EN 1092-1 PN 63

## FEATURES

- Bolted Bonnet
- Outside screw and yorke
- Rising stem
- Handweel or gear operator
- RF, RTJ and BW flanges

## TRIM CONFIGURATIONS

API TRIM No	Nonimal Trim	Trim code	Stem	Disc/Wedge	Seat
1	F6	F6	410 (13Cr)	F6 (13Cr)	410 (13Cr)
2	304	304	304 (18Cr-8Ni)	304 (18Cr-8Ni)	304 (18Cr-8Ni)
3	310	310	(25Cr-20Ni)	310 (25Cr-20Ni)	310 (25Cr-20Ni)
4	Hard 410	F6-H	410 (13Cr)	F6 (13Cr)	F6 (13Cr)
5	410 Full Hard faced	F6-HF	410 (13Cr)	F6+St Gr6 (CoCr Alloy)	410+St Gr6 (CoCr Alloy)
5A	410 Full hard Faced	F6-HF	410 (13Cr)	F6+Hardf. NiCr Alloy	410+Hardf. NiCr Alloy
6	410 and Ni-Cu	F6-HFS	410 (13Cr)	F6 (13Cr)	Monel 400 (NiCu Alloy)
7	410 and Full Hard	410	410 (13Cr)	F6 (13Cr)	F6 (13Cr) (750HB)
8	410 and Hard Faced	F6-HFS	410 (13Cr)	F6 (13Cr)	410+St Gr6 (CoCr Alloy)
8A	410 and Hard Faced	F6-HFS	410 (13Cr)	F6 (13Cr)	410+Hardf. NiCr Alloy
9	Monel	Monel	Monel (NiCu Alloy)	Monel (NiCu Alloy)	Monel 400 (NiCu Alloy)
10	316	316	316 (18Cr-Ni-Mo)	316 (18Cr-Ni-Mo)	316 (18Cr-8Ni-Mo)
11	Monel and Hard Faced	Monel-HFS	Monel (NiCu Alloy)	Monel (NiCu Alloy)	Monel 400 St Gr6
11A	Monel and Hard Faced	Monel-HFS	Monel (NiCu Alloy)	Monel (NiCu Alloy)	410 Hardf. NiCrA
12	316 and Hard Faced	316-HFS	316 (18Cr-Ni-Mo)	316 (18Cr-Ni-Mo)	316+St Gr6
12A	316 and Hard Faced	316-HFS	316 (18Cr-Ni-Mo)	316 (18Cr-Ni-Mo)	316 Hardf. NiCr Alloy
13	Alloy 20	Alloy 20	Alloy 20 (19Cr-29Ni)	Alloy 20 (19Cr-29Ni)	Alloy 20 (19Cr-29Ni)
14	Aloy 20 and Hard Faced	Alloy 20-HFS	Alloy 20 (19Cr-29Ni)	Alloy 20 (19Cr-29Ni)	Alloy 20 St Gr6
14A	Alloy 20 and Hard Faced	Alloy 20-HFS	Alloy 20 (19Cr-29Ni)	Alloy 20 (19Cr-29Ni)	Alloy 20 Hardf. NiCr Alloy
15	304 Full Hard Faced	304-HF	304 (18Cr-8Ni-Mo)	304+St Gr6	304+St Gr6
16	316 Full Hard Faced	316-HF	316 HF (18Cr-8Ni-Mo)	316+St Gr6	316+St Gr6

# GLOBE VALVE MATERIALS

Material Group	Common name	Material Type	Forging Spec	UNS	Casting Spec. Equivalent	DIN	DIN W. No	Application	
Carbon Steel	<b>CS</b>	C-Mn-Fe	A105N	K03504	A216-WCB	C22.8 DIN 17243	1.0460	General non-corrosive service from -29°C to 427°C	
Low temperature Carbon Steel	<b>LTCS</b>	C-Mn-Fe	A350-LF2	K03011	A352-LC1	TSTE 355 DIN 18103	1.0566	General non-corrosive service from -46°C to 340°C, LF2 to 427°C	
					A352-LCB				
					A352-LCC				
Low temperature alloy steel	<b>Nickel Steel</b>	3.1/2Ni	A350-LF	K32025	A352-LC3	10Ni14	1.5637	-101°) to 340°C	
Low Alloy Steel	<b>Moly Steel</b>	C-1/2Mo	A182-F1	K12822	A217-WC1	15Mo3	1.5415	Up to 468°C	
	<b>Alloy Steel Chrome Moly</b>	1.1/4Cr-1/2Mo	A182-F11 cl2	K11572	A217-WC6	13CrMo44	1.7335	Up to 593°C	
		2.1/4Cr-1Mo	A182-F22 cl3	K21590	A217-WC9	10CrMo910	1.7380	Up to 593°C, HP steam	
		5Cr-1/2Mo	A182-F5a	K41545	A217-C5	12CrMo195	1.7362	High temp. refinery service	
		9Cr-1Mo	A182-F9	K90941	A217-C12	X 12 CrMo 9 1	1.7386	High temp. erosive refinery service	
		9Cr-1Mo-V	A182-F91		A217-C12A	X 10 CrMoVNb 9 1	1.4903	High pressure steam	
Stainless Steel	<b>Austenitic S.Steel 300 series S. Steel</b>	304 : 18Cr-8N	A182-F304	S30400	A351-CF8	DIN X5CrNi 18 9	1.4301	0.04% min. carbon for temp. >538°C	
		304L : 18Cr-8Ni	A182-F304L	S30403	A351-CF3	X 2 CrNi 19 11	1.4306	Up to 427°C	
		304H	A182-F304H	S30409	A351-CF10	n/a	n/a		
		316 : 16Cr-12Ni-2Mo	A182-F316	S31600	A351-CF8M	DIN X5CrNiMo 18 10	1.4401	0.04% min. carbon for temp. >538°C	
		316L : 16Cr-12Ni-2Mo	A182-F316L	S31603	A351-CF3M	X 5 CrNiMo 17 12 2	1.4404	Up to 427°C	
		316H :	A182-F316H	S31609	A351-CF10M	n/a	n/a		
		316Ti :	A182-F316 Ti	S31635		X 6 CrNiMoTi 17 12 2 1.4571	1.4571	Special grade	
		321 : 18Cr-10Ni-Ti	A182-F321	S32100		X 6 CrNiTi 18 10	1.4541	0.04%min. carbon (grade F321H) and heat treat at 1100°C for service temps. >538°C	
		321H	A182-F321H	S32109		n/a	n/a		
		347 : 18Cr-10Ni-Cb(Nb)	A182-F347	S34700	A351-CF8C	DIN 8556	1.4550	0.04%min. carbon (grade F347H) and heat treat at 1100°C for service temps. >538°C	
	347H	A182-F347H	S34709		n/a	n/a			
		317L	A182-F317L	S31703	A351-CG3M*	X2CrNi-Mo18-16-4	1.4438		
		<b>Alloy 20</b>	28Ni-19Cr-Cu-Mo	A182-F20*	N08020	A351-CN7M†	DIN 1.4500	2.4660	Service to 316°C*
		<b>Duplex 2205</b>	22Cr-5Ni-3Mo-N	A182-F51	S31803	A351-CD3MN	X2CrNi-MoN22-5-3	1.4462	Service to 316°C – The original S31803 UNS designation has been supplemented by S32205 which has higher minimum N,CR, and Mo
					S32205	A890-J92205	DIN 10088-1 (95)		
		<b>Super Duplex 2507</b>	25Cr-7Ni-4Mo-N	A182-F53	S32750	A351-CD4MCu*	X2CrNi-MoN27-7-4	1.4501	Service to 316°C
						A890 5A*	DIN 10088-1 (95)		
		<b>Super Duplex F55</b>	25Cr-7Ni-3.5Mo-N-Cu-W	A182-F55	S32760	A995-CD3MW-CuN			Service to 316°C
		<b>Super Austenitic 6Mo</b>	20Cr-18Ni-6Mo	A182-F44	S31254	A351-CK3MCuN	X1CrNiMoC-uN20-18-7	1.4547	Service to 316°C
							DIN 10088-1 (95)		
Nickel-Iron Alloy	<b>Incoloy 800</b>	33Ni-42Fe-21Cr	B564-N08800	N08800		X10NiCrAl-Ti32-20	1.4876	Service to 538°C	
	<b>Incoloy 825</b>	42Ni-21.5Cr-3Mo-2.3Cu	B564-N08825	N08825	A494-CU5M-CuC*	DIN 17744	2.4858	Service to 316°C for N02200, 648°C for N02201	
Nickel	<b>Nickel Steel</b>	99/95Ni	B160-N02200 (bar)	N02200	A494-CZ-100*	NW2200	1.7740		
Nickel-Copper	<b>Monel 400</b>	67Ni-30Cu	B564-N04400	N04400	A494-M35-1	DIN 17730	2.4360		
	<b>Monel 500</b>		B564-N05500*	N05500			2.4375		
Nickel-Alloy	<b>904L</b>		904L*	N08904	n/a	Z2 NCDU 25-20	1.4539		
Nickel Super-alloys	<b>Inconel 600</b>	72Ni-15Cr-8Fe	B564-N06600	N06600	A494-CY40*	DIN 17742	2.4816		
	<b>Inconel 625</b>	60Ni-22Cr-9Mo-3.5Cb	B564-N06625	N06625	A494-CW-6MC*		2.4856		
	<b>Hastelloy C-276</b>	54Ni-15Cr-16Mo	B564-N10276	N10276	A494-CW-2M*	NiMo 16 Cr 15 W	2.4819		
Titanium	<b>Titanium</b>	98Ti	B381-Gr2	R50400	B367-C2*	Ti 2	3.7035	Special grade	